

QLD1x6P-xxD0 series

1 μ m 400mW DFB Laser BFY Module under 1-10 ns Pulsed Operation

C00198-02 July 2017



1. DESCRIPTION

The QLD1x6P-xxD0 is a high power 1 μ m-wavelength range distributed feedback (DFB) laser under 1-10 ns pulsed operation for use in seeder for fiber lasers and sensing applications. The laser is assembled into a 14-pin butterfly package with an optical isolator, a monitor PD and a thermo-electric cooler.

2. FEATURES

- Single longitudinal mode operation
- High peak output power of 400mW under pulsed operation
- 1-10 ns pulse width available
- Fiber-pigtailed 14-pin butterfly package with a TEC
- Optical isolator integration
- Polarization maintaining fiber integration

3. APPLICATIONS

- Seeder for fiber lasers
- Sensing

4. ABSOLUTE MAXIMUM RATINGS

PARAMETER	SYMBOL	RATING	UNIT
Optical Output power (CW)	P_f	50	mW
LD Forward Current (CW)	I_f	250	mA
Peak Output power (Pulse 10 ns/1MHz)	P_{f_pulse}	600	mW
LD Peak Current (Pulse 10 ns/1MHz)	I_{f_pulse}	2	A
LD Reverse Voltage	V_{RLD}	2	V
TEC Drive Current	I_{TEC}	2	A
TEC Drive Voltage	V_{TEC}	4.3	V
Operation Temperature	T_c	0 to 60	$^{\circ}$ C
Storage Temperature	T_{stg}	-40 to 85	$^{\circ}$ C
Lead Soldering Temperature (10 s)	T_{slid}	260	$^{\circ}$ C

5. OPTICAL AND ELECTRICAL CHARACTERISTICS

($T_{LD} = 25^{\circ}\text{C}$, unless otherwise specified)

PARAMETER	SYMBOL	TEST CONDITION	MIN	TYP	MAX	UNIT
Peak Wavelength	λ_p	CW, $P_f=30\text{ mW}$	λ_p-5 (*2)	λ_p (*1)	λ_p+5 (*2)	nm
Temperature Coefficient of λ_p	$d\lambda_p/dT$	CW / Pulsed	-	0.08	-	nm/K
Threshold Current	I_{th}	CW / Pulsed	-	15	30	mA
CW Fiber Output Power	P_f	CW	30	-	-	mW
CW Operation Voltage	V_{op}	CW, $P_f=30\text{ mW}$	-	1.8	-	V
Pulsed Peak Output Power	P_{f_peak}	Pulsed, $I_{f_peak}=1.6\text{ A}$	400	500	-	mW
Pulsed Averaged Output Power	P_{f_ave}	Pulsed 1 ns/100kHz/1.6A	40	-	-	μW
		Pulsed 10 ns/100kHz/1.6A	400	-	-	μW
Pulse Width	t_{pw}	Pulsed	1	-	10	ns
Duty Cycle	D.C.	Pulsed	-	-	1(*3)	%
Sidemode Suppression Ratio	SMSR	CW, $P_f=30\text{ mW}$	30	40	-	dB
		Pulsed 1ns/100kHz	25	30	-	dB
Spectral line width	$\Delta\lambda$	Pulsed 1ns/100kHz, @-3dB from peak		0.04		nm
Polarization Extinction Ratio	PER	CW	15	20	-	dB
Monitor PD Current	I_m	CW, $P_f=30\text{ mW}$	-	300	-	μA
Thermistor Resistance	R_{th}	$T_{LD} = 25^{\circ}\text{C}$, $B=3900\text{K}$	9.5	10	10.5	k Ω

(*1) Available peak wavelength is from 1024 to 1180 nm.

(*2) Tighter wavelength tolerance is available as an option.

(*3) Higher duty cycle is available with proper adjustment of a peak current. Please ask QDL for more detail.

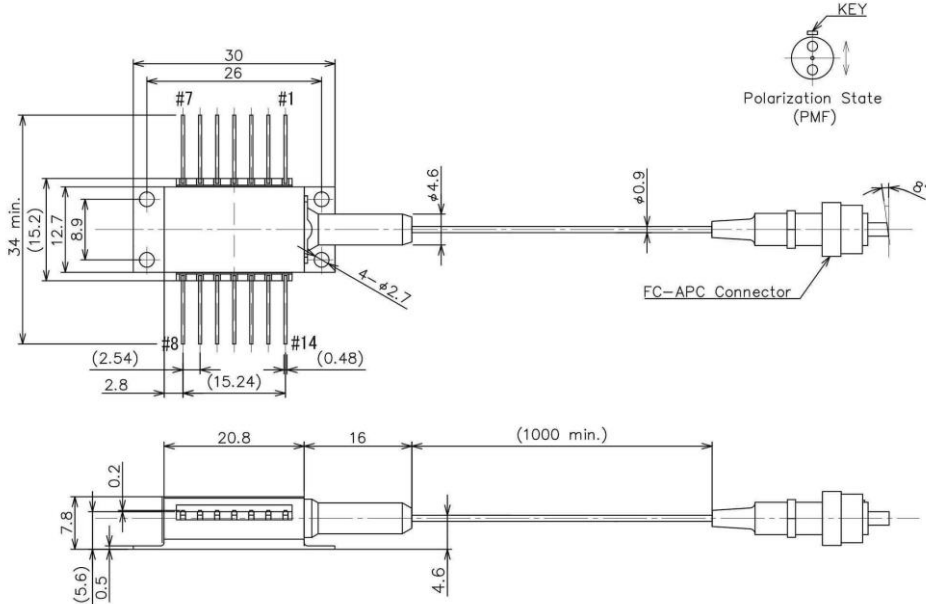
6. PRODUCT PART NUMBER

Part Number	Fiber Type	Fiber Diameter	Connector
QLD1x6P-xxD0	Polarization maintaining fiber	900um	FC/APC
QLD1x6P-xxD0-11		250um	Ferrule

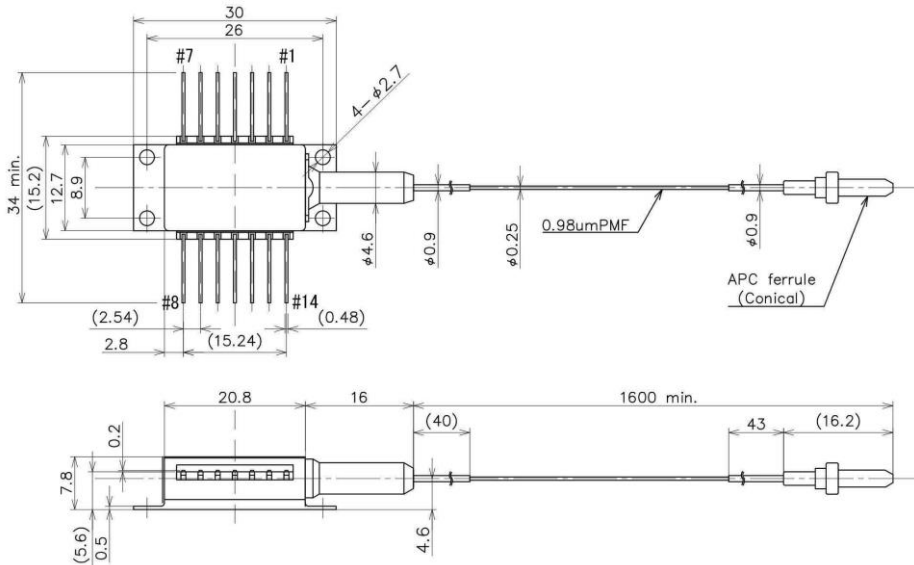
Examples of prodcut name

Peak Wavelength (nm)	Part Number
1030	QLD106P-30D0
1053	QLD106P-53D0
1064	QLD106P-64D0
1083	QLD106P-83D0
1120	QLD116P-20D0
1180	QLD116P-80D0

7. OUTLINE DRAWING



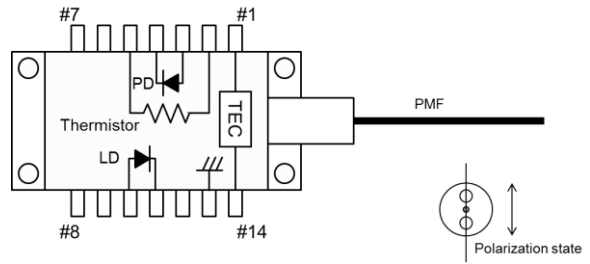
(a) 900um fiber diameter and FC/APC connector type (QLD1x6P-xxD0)



(b) 250um fiber diameter and ferrule type (QLD1x6P-xxD0-11)

8. PIN CONFIGURATION

No.	Description	No.	Description
1	TEC (+)	8	NC
2	Thermistor	9	NC
3	PD Anode	10	Laser Anode
4	PD Cathode	11	Laser Cathode
5	Thermistor	12	NC
6	NC	13	Case Ground
7	NC	14	TEC (-)



9. NOTICE

• Safety Information

This product is classified as Class 3B laser product, and complies with 21 CFR Part 1040.10.

Please do not take a look at laser lighting in operations since laser devices may cause troubles to human eyes.

Please do not eat, burn, break and make chemical process of the products since they contain GaAs material.

• Handling products

Semiconductor lasers are easily damaged by external stress such as excess temperature and ESD.

Please pay attention to handling products, and use within range of maximum ratings.

QD Laser takes no responsibility for any failure or unusual operation resulting from improper handling, or unusual physical or electrical stress.

• RoHS

This product conforms to RoHS compliance related EU Directive 2011/65/EU.

DANGER

INVISIBLE LASER RADIATION
AVOID DIRECTION EXPOSURE TO BEAM

MAXIMUM OUTPUT 1 W
WAVELENGTH 1000~1200 nm
CLASS IV LASER PRODUCT

LASER DIODE

AVOID EXPOSURE-Invisible Laser Radiation is emitted from this aperture.

This product complies with 21 CFR Part 1040.10 and 1040.11 except for deviations pursuant to Laser Notice No.50, dated June 24, 2007

QD Laser, Inc.

1-1 Minamiwataridacho, Kawasaki-ku, Kawasaki, Kanagawa, 210-0855 Japan

QD Laser, Inc.

Contact : info@qdlaser.com <http://www.qdlaser.com>

Copyright 2016-2017 All Rights Reserved by QD Laser, Inc.

Keihin Bldg. 1F 1-1 Minamiwatarida-cho, Kawasaki-ku, Kawasaki, Kanagawa Zip 210-0855 Japan

All company or product names mentioned herein are trademarks or registered trademarks of their respective owners. Information provided in this data sheet is accurate at time of publication and is subject to change without advance notice.