

Description

UM Series spectrometers feature OtO Photonics' patented MEMS-based freeform grating-collimator technology which dramatically simplifies the optical design to reduce complexity, cost, size and weight.

Despite their small size UM spectrometers feature a rigid optical bench for stable performance with 2500 or 3000 pixel CCD linear sensors for high optical resolution and fast spectral response.

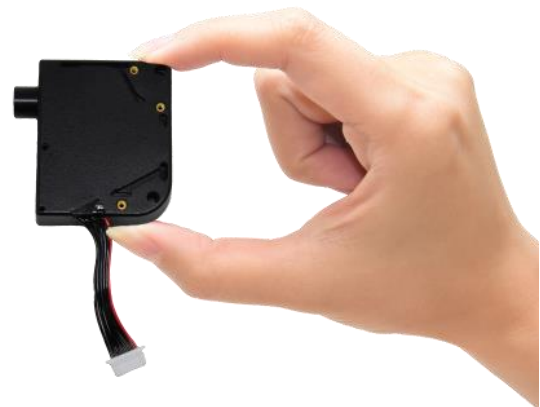
Compact size and low weight mean UM series spectrometers are ideally suited for system integration and this is enhanced by the standard 8-pin connector allowing direct control of the sensor.

OtO also offer an optional Control Board (CB) with USB interface for power and communications and an 8-pin extension port. The CB is supplied with our fully-featured spectral measurement software, SpectraSmart , which includes an SDK and example code.

All UM series models feature SMA905 fiber connectors which can also be used to mount collimators, cosine-correctors etc.

UltraMicro Series

UM1280/UM2280
UM1380/UM2380
UM1390/UM2390




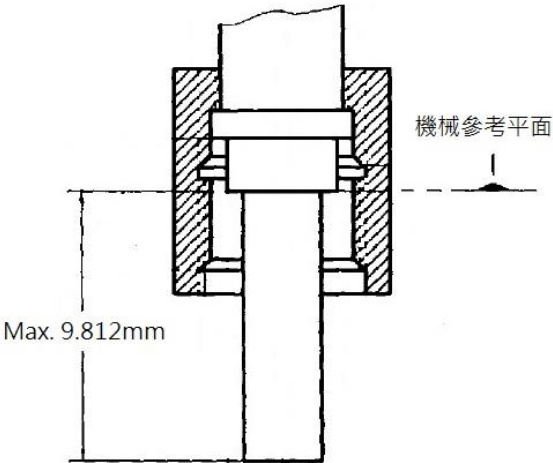
This document is intended for sales and marketing purposes only and may not serve as a specification document for shipping or contracts. If a specification for product approval or IQC is required please contact OtO or your distributor.

UM Series-502 Rev 2
www.otophotonics.com

OtO Photonics

Ultra Micro Spectro-module Series Product sheet

Attention

Illustration	Description
	<p>Screw in the fiber optic connector with fingers. Do not use any tool to tighten it. Using tools such as wrenches to tighten the connector may cause the connector to press against and damage the inlet slit of the spectrometer. Such damage is not covered by the warranty.</p> <p>In cases where the connector needs to be firmly in place for long-term use, it is advised to apply a little glue to where the SMA905 connector is connected to the spectrometer.</p>
	<p>The SMA905 connectors on all spectrometers made by OtO Photonics is manufactured in accordance with international standards. Customers should ensure that the ferrule length of the fiber used is not longer than 9.812mm to avoid damaging the slid in the SMA950 connector. Such damage is not covered by the warranty.</p>

This document is intended for sales and marketing purposes only and may not serve as a specification document for shipping or contracts. If a specification for product approval or IQC is required please contact OtO or your distributor.

OtO Photonics

Ultra Micro Spectro-module Series Product sheet

■ Overview

- | | | |
|-----|---------------------|----|
| 1.1 | Lineup of UM Series | P3 |
| 1.2 | Output Comparison | P4 |

■ Main Features

- | | | |
|-----|---------------|----|
| 2.1 | Feature | P5 |
| 2.2 | Specification | P6 |

■ Structure

- | | | |
|-----|--------------------|-----|
| 3.1 | Mechanical Diagram | P9 |
| 3.2 | Electrical Pinout | P14 |
| 3.3 | CCD Overview | P18 |

■ Internal Operation P23

This document is intended for sales and marketing purposes only and may not serve as a specification document for shipping or contracts. If a specification for product approval or IQC is required please contact OtO or your distributor.

OtO Photonics

Ultra Micro Spectro-module Series Product sheet

Overview

► 1.1 Lineup of UM Series

Model	Type	Spectral response range (nm)	Slit size (μm)	Resolution (nm)	CCD	SNR*1	A/D	Dark noise (Upper Limit)	Stray light	Parameter of Optical System	
		V2 330 ~ 850									
UM series	UM1280	Standard	√	10	3.5	ILX563A	150	16	49	1%	f/4.5 NA: 0.11 R1-R2: 7-15
			25	5.5							
			40	10							
	UM2280	High Sensitivity	√	10	3.5	ILX563A + Cylindrical lens	200	16	75		
				25	6						
				40	10						
	UM1380	Standard	√	10	3	TCD1254	200	16	75		
				25	6						
				40	10						
	UM2380	High Sensitivity	√	10	3	TCD1254 + Cylindrical lens	200	16	75		
				25	6						
				40	10						
UM1390	SMA905 90 deg.	√	10	3	TCD1254	200	16	75			
			25	6							
			40	10							
UM2390	SMA905 90 deg. +High Sensitivity	√	10	3	TCD1254 + Cylindrical lens	200	16	75			
			25	6							
			40	10							

*1 : Single acquisition

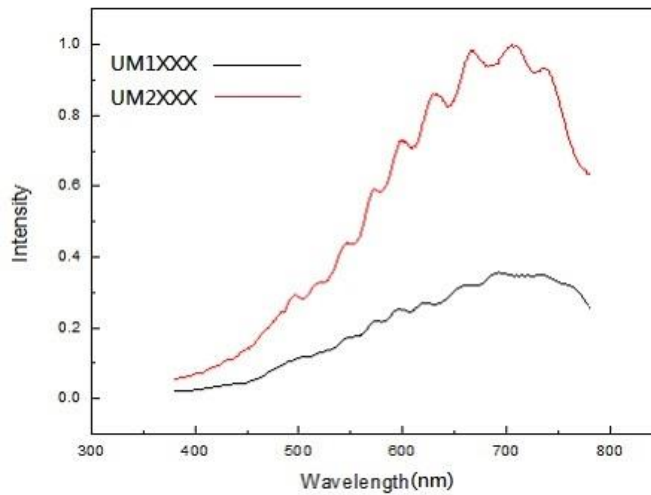
- UM1280 are the standard type spectrometer module.
- UM2280 with new optical design provide high sensitivity performance.
- UM1380, UM2380 are the volume 50% shrink standard type spectrometer module.
- UM1390, UM2390 are volume 50% shrink with right-angled SMA905.

This document is intended for sales and marketing purposes only and may not serve as a specification document for shipping or contracts. If a specification for product approval or IQC is required please contact OtO or your distributor.

OtO Photonics

Ultra Micro Spectro-module Series Product sheet

► 1.2 Output Comparison



- New Optical Design Spectrometer Shows 2.5 times efficiency toward Standard type Spectrometer

This document is intended for sales and marketing purposes only and may not serve as a specification document for shipping or contracts. If a specification for product approval or IQC is required please contact OtO or your distributor.

OtO Photonics

Ultra Micro Spectro-module Series Product sheet

■ Main Features

▶ 2.1 Feature

■ SONY ILX563A & TCD 1254 Detector

- High sensitivity detector
- Readout Rate: 2 MHz

■ Optics

- Optical resolution: 3~10 nm (FWHM)
- slit width: 10, 25 or 40 μm
- SMA905: $\Phi 3.20 \pm 0.01\text{mm}$

■ Electrical Performance

- Integration times: from 1 ms to 65s

This document is intended for sales and marketing purposes only and may not serve as a specification document for shipping or contracts. If a specification for product approval or IQC is required please contact OtO or your distributor.

► 2.2 Specification

■ Absolute Maximum Ratings

- CCD input power V_{CC} : + 5.25 V_{DC}

■ Physical Specifications

- Physical dimensions:

UMX280 : 39.25 mm (W) x 43.54 mm (D) x 10.1 mm (H)

UMX380 : 23.2 mm (W) x 31 mm (D) x 10 mm (H)

UMX390 : 23.2 mm (W) x 31 mm (D) x 8.5 mm (H)

- Weight:

UMX280 : 8g

UMX3X0 : 13g

■ Power

- Power requirement:

UMX2X0 : 12 mA at + 5 V_{DC}

UMX3X0 : 5 mA at +5 VDC

- Supply voltage: 4.5 – 5.5 V

■ Spectro-module

- MEMS Optical Structure

- Input fiber connector: SMA 905

- Entrance slit: 10, 25 or 40 μm

- Detector:

UMX2X0 : Sony ILX563A CCD

UMX3X0 : Toshiba TCD1254 CCD

- Filters: 2nd & 3rd order rejection

OtO Photonics

Ultra Micro Spectro-module Series Product sheet

■ Spectroscopic

- Wavelength range: 330 ~ 850 nm
- Integration time: 1 ms ~ 65s
- Resolution (FWHM): 3~10 nm

■ Environmental Conditions

- Temperature: -30°C to +70°C Storage & 0°C to +50°C Operation
- Humidity: 0% - 90% non-condensing

■ Interfaces

- CCD direct control

This document is intended for sales and marketing purposes only and may not serve as a specification document for shipping or contracts. If a specification for product approval or IQC is required please contact OtO or your distributor.

OtO Photonics

Ultra Micro Spectro-module Series Product sheet

■ Structure

▶ 3.1 Mechanical Diagram

■ UMX280 Series

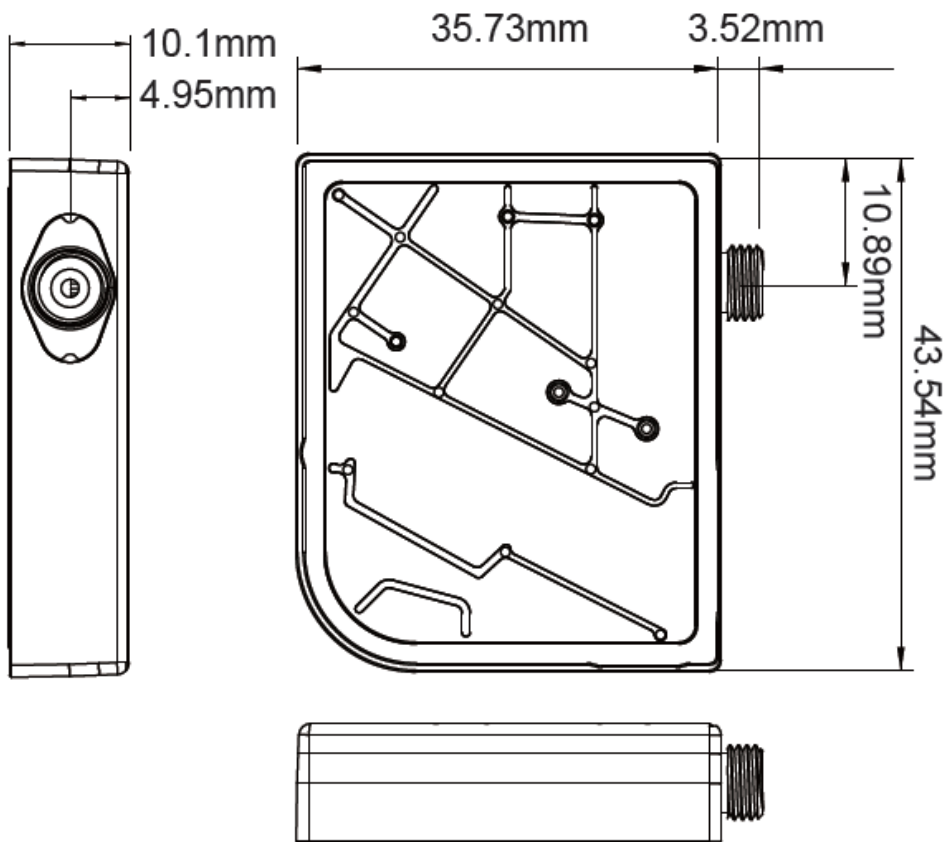


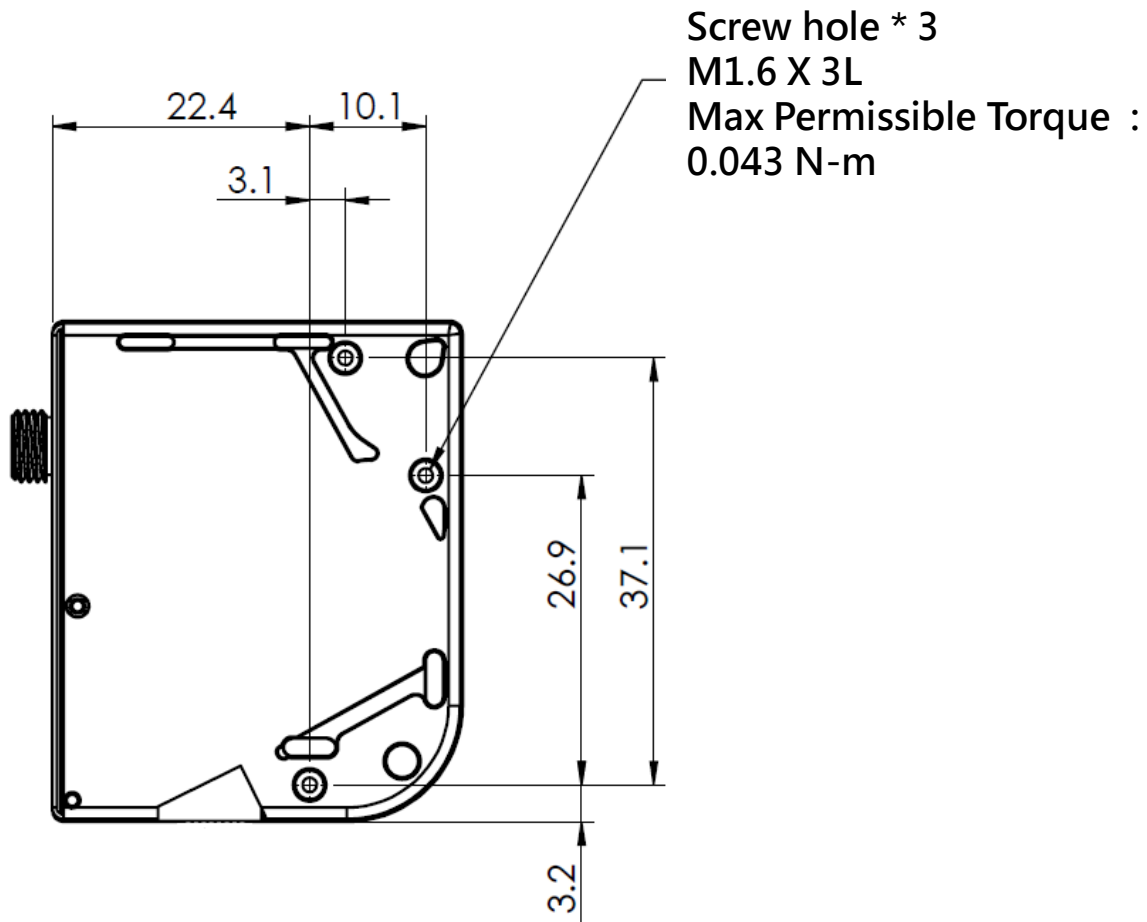
Fig. 1: UMX280 outer dimensions

This document is intended for sales and marketing purposes only and may not serve as a specification document for shipping or contracts. If a specification for product approval or IQC is required please contact OtO or your distributor.

OtO Photonics

Ultra Micro Spectro-module Series Product sheet

- **UMX280** Screw hole for system integration



- Fig. 2: **UMX280** Screw hole for system integration

This document is intended for sales and marketing purposes only and may not serve as a specification document for shipping or contracts. If a specification for product approval or IQC is required please contact OtO or your distributor.

OtO Photonics

Ultra Micro Spectro-module Series Product sheet

■ UMX380 Series

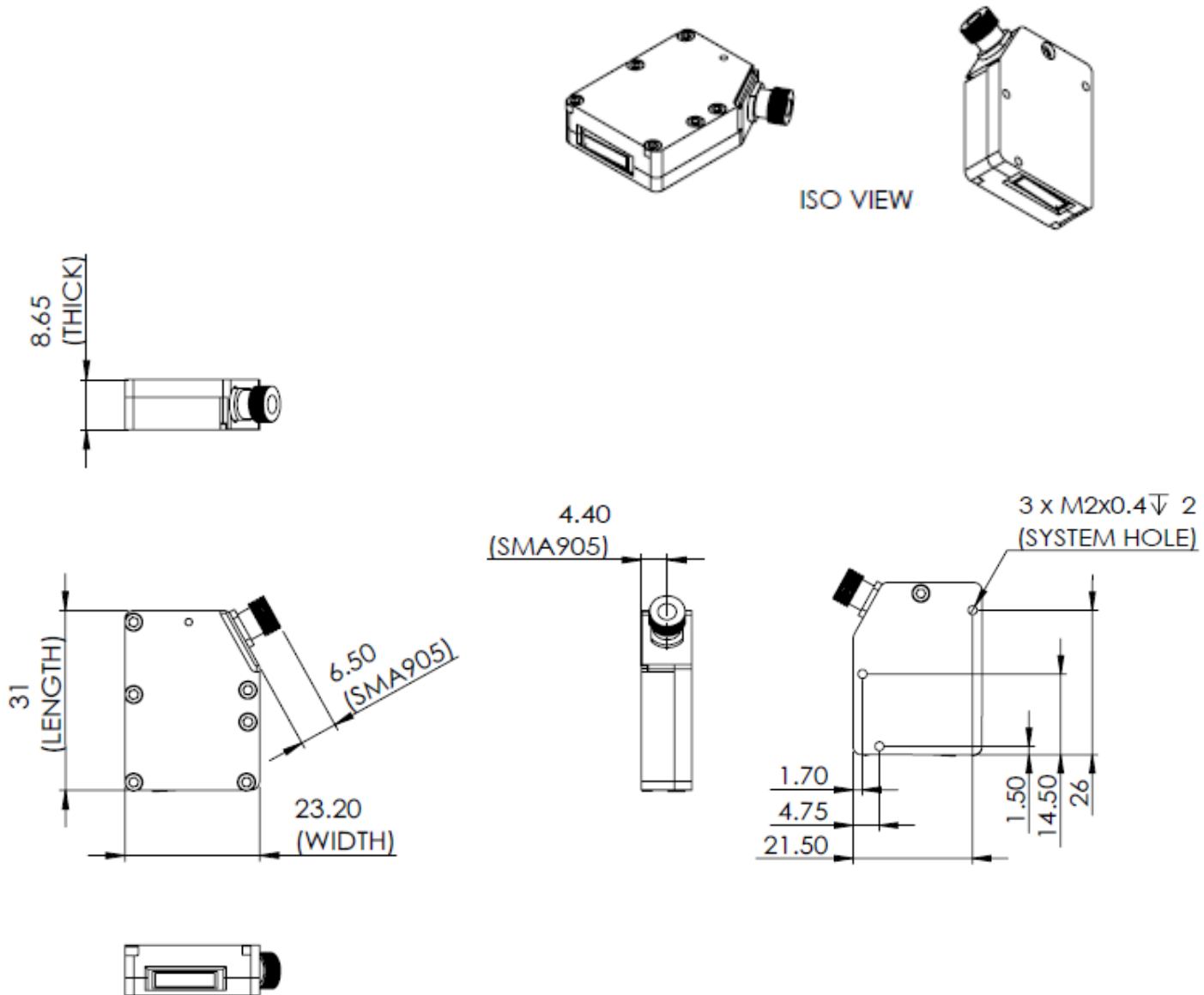


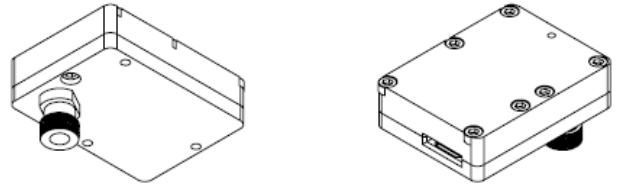
Fig. 3: UMX380 outer dimensions

This document is intended for sales and marketing purposes only and may not serve as a specification document for shipping or contracts. If a specification for product approval or IQC is required please contact OtO or your distributor.

OtO Photonics

Ultra Micro Spectro-module Series Product sheet

■ UMX390 Series



ISO VIEW



23.200 ± 0.100
(WIDTH)

31 ± 0.100
(LENGTH)

8.500 ± 0.100
(THICK)

7.450 ± 0.050
(SMA905)

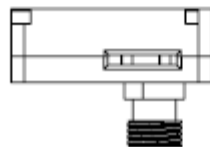


Fig. 4: UMX390 outer dimensions

This document is intended for sales and marketing purposes only and may not serve as a specification document for shipping or contracts. If a specification for product approval or IQC is required please contact OtO or your distributor.

OtO Photonics

Ultra Micro Spectro-module Series Product sheet

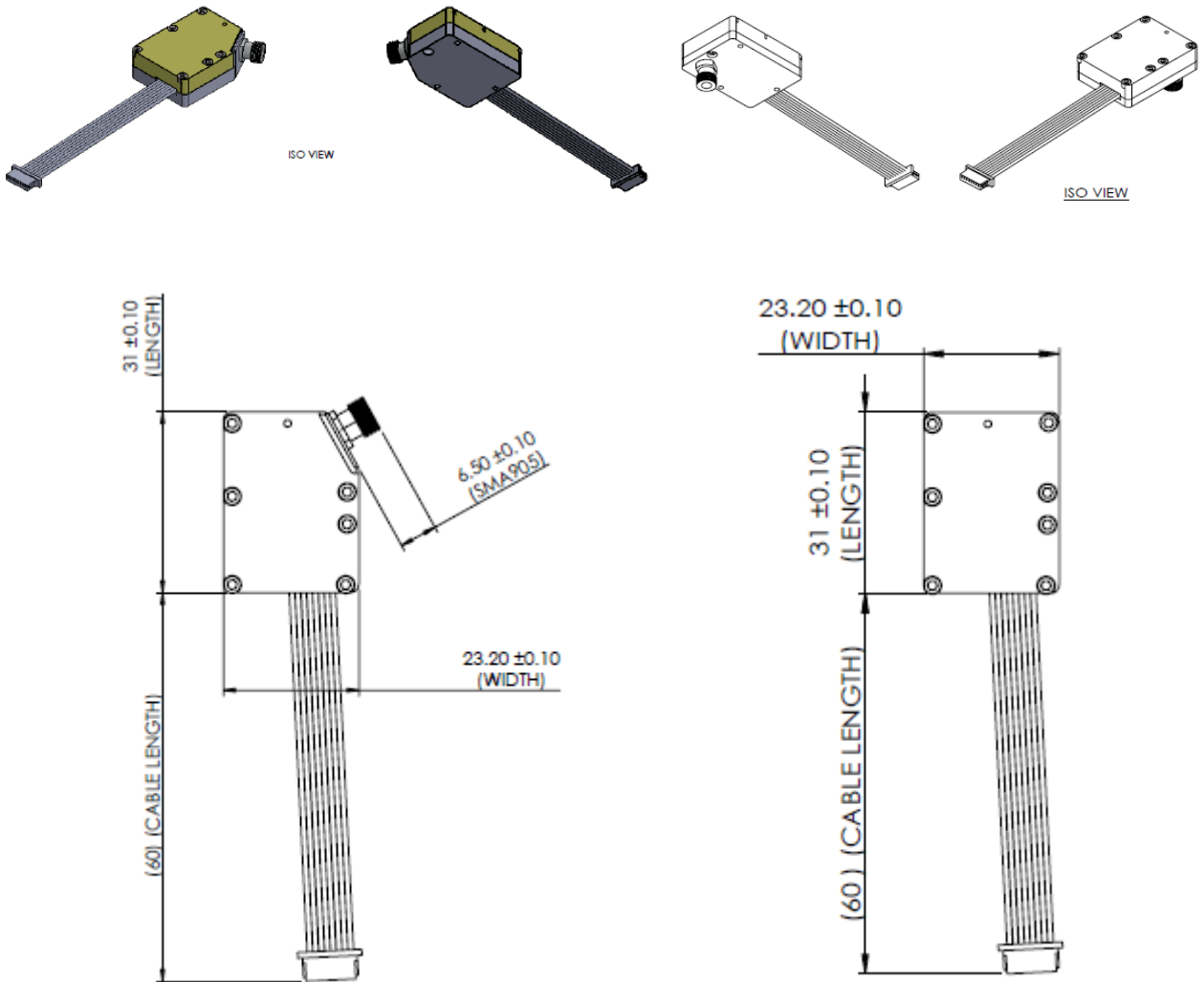


Fig. 5: UM1380/ UM2380/ UM1390/ UM2390 with Cable outer dimensions

This document is intended for sales and marketing purposes only and may not serve as a specification document for shipping or contracts. If a specification for product approval or IQC is required please contact OtO or your distributor.

► 3.2 Electrical Pinout

The following listed is the pin description for UM Series External Connector. As shown in fig.6, the UMXX80/UMXX90 module side is 8 pin interface. (pitch 1.0mm) The corresponding connector on board side is HTHR-08WR. Terminal P1 is assembled inside UMXX80/UMXX90. Terminal P2 is linked to the main board.

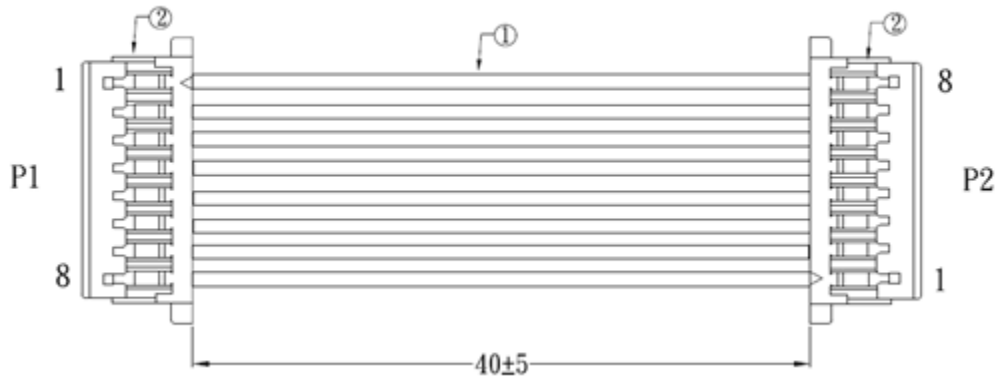
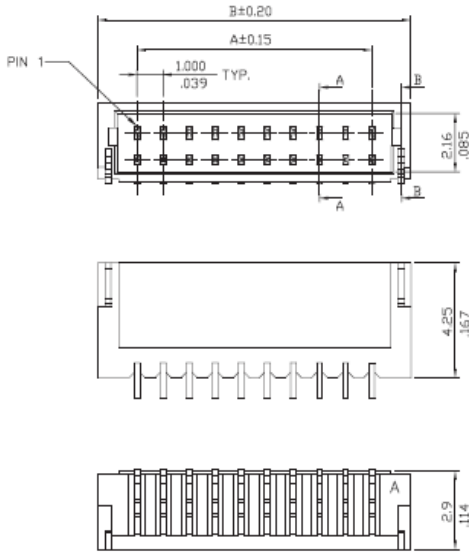


Fig. 6: 8 pin Cable Drawing

This document is intended for sales and marketing purposes only and may not serve as a specification document for shipping or contracts. If a specification for product approval or IQC is required please contact OtO or your distributor.

OtO Photonics

Ultra Micro Spectro-module Series Product sheet



DIM. A = 1.00 x NO. OF SPACES
 DIM. B = DIM. A + 3.0
 * AVAILABLE IN 2 THROUGH 15 CIRCUITS AND 20

Material:

Base: Glass filled Polyamide UL 94V-0
 ,Color Nature(White)

Contact: Copper alloy with Tin plated

Tab: Copper alloy with Tin plated

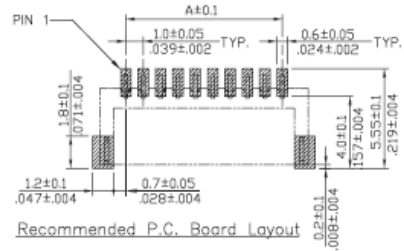
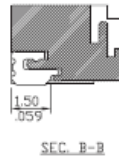
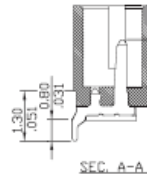
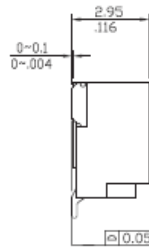


Fig. 7: HTHR-08W drawing

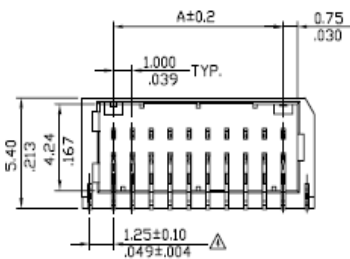
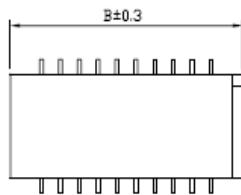
Note:

- Material:
 Base: High Temperature plastic UL 94V-0, Color Nature
 Contact: Phosphor Bronze
 Tab: Brass
- Plating:
 Tab: Tin plated over Nickel
- Misalignment of slider tail and fixed tab from Δ
 Upper direction: 0.05 Max. , Lower direction: 0.10 Max.
 Offset between upper and lower 0.10 MAX.

Ordering Code:

TDR- xx W R
 ① ② ③

- Series No.
- No. of Circuits: 20,30,40,50
- Type: R= Side entry



DIM. A = 1.00 x (No. of circuits/2-1)
 DIM. B = DIM. A + 3.3
 * Available in 12,16,20

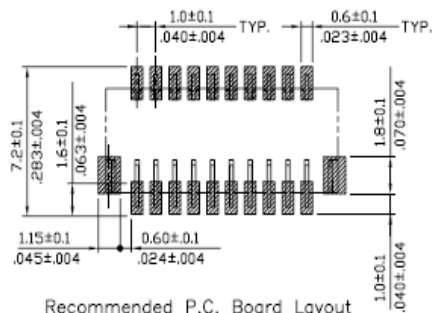
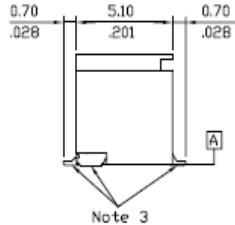


Fig. 8: TDR-16WR drawing

OtO Photonics

Ultra Micro Spectro-module Series Product sheet

● Pin# Description_UMXX80/UMXX90

*All I/Os are TTL-level input/output

Pin No.	Direction	Pin Name	Function
1	Input	SH	CCD SH Control
2	Input	GainSW	CCD Gain Control, the default is low gain (GainSW=0)
3	Analog Output	VOUT	CCD Video Output
4	GND	GND	GND
5	Input	ROG	CCD ROG Control
6	Input	CLK	CCD CLK Control
7	Power	+5V	CCD Power +5V
8	GND	GND	GND

● Pin orientation_UMXX80/UMXX90

UM1280/UM2280/UM1380/UM2380/UM1390/UM2390 8 pin cable as shown in Fig.9, red line is the pin 1 of 8 pin connector. (for main board).

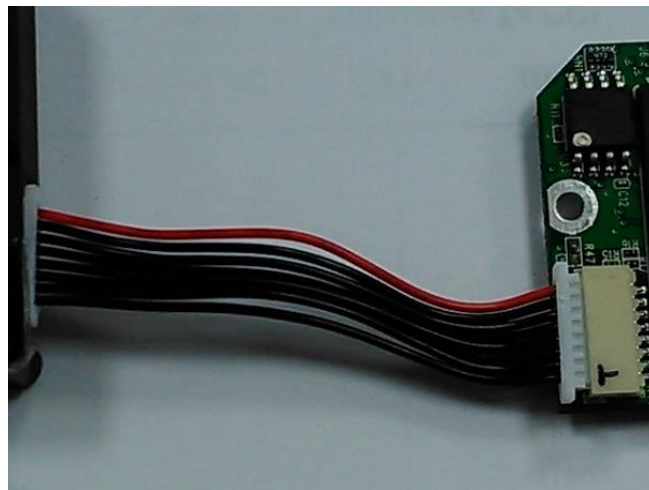


Fig. 9: UMXX80/UMXX90 CCD Board and Cable

This document is intended for sales and marketing purposes only and may not serve as a specification document for shipping or contracts. If a specification for product approval or IQC is required please contact OtO or your distributor.

OtO Photonics

Ultra Micro Spectro-module Series Product sheet

► 3.3 CCD Overview

● CCD DETECTOR

The ILX563A & TCD1254 are rectangular reduction type CCD linear image sensor designed for optical measuring equipment use. A built-in timing generator and clock-drivers ensure single 5V power supply for easy use.

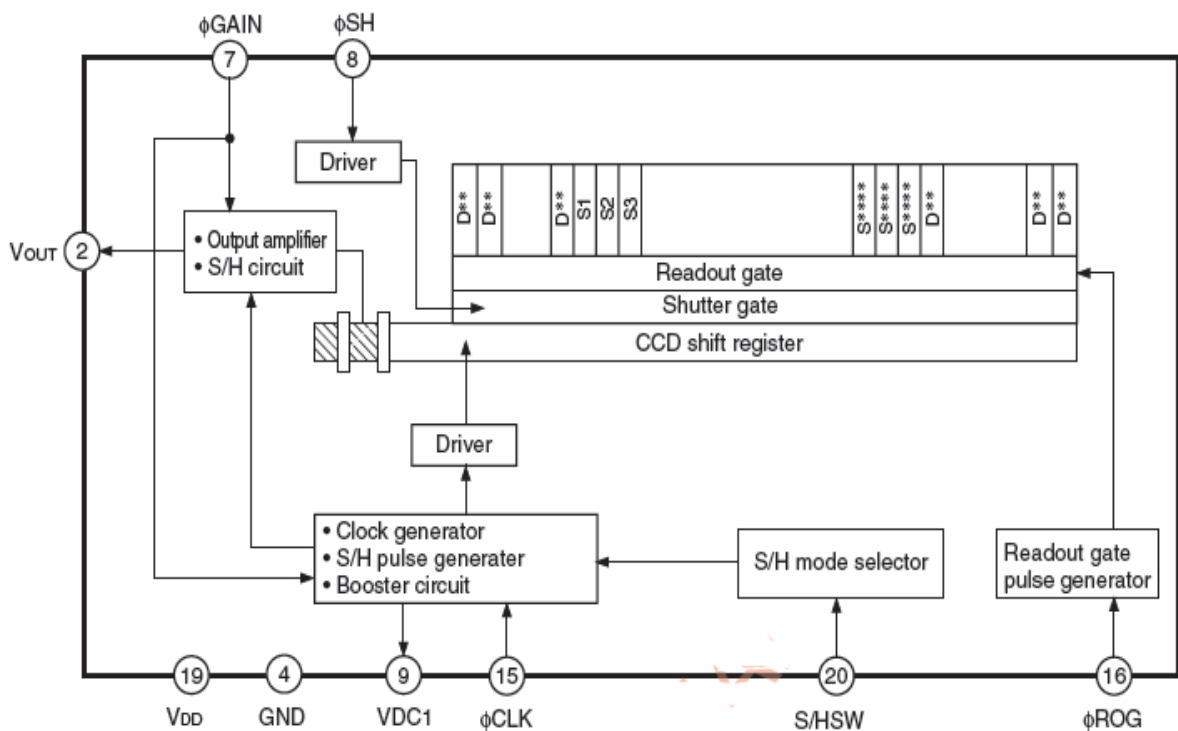


Fig. 10: Sony ILX563A CCD Block Diagram

This document is intended for sales and marketing purposes only and may not serve as a specification document for shipping or contracts. If a specification for product approval or IQC is required please contact OtO or your distributor.

OtO Photonics

Ultra Micro Spectro-module Series Product sheet

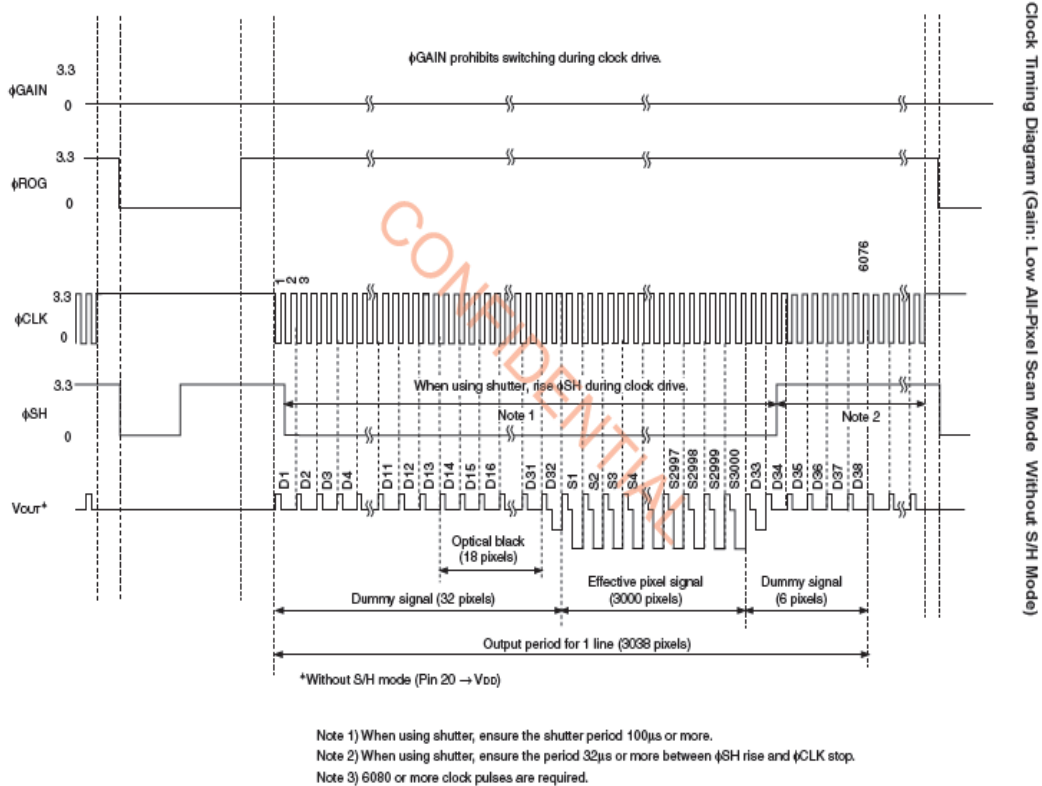


Fig.11: CCD operation timing waveform

There are two operation modes in this Sony CCD. One is sample & hold mode, the other is without the sample/hold mode. The above timing chart is running without the sample/hold mode. There is one reset level during two clock cycles. UM Series is operated under this mode. The corresponding AFE (Analog Front End) device needs to be run at CDS mode. (Correlated Double Sample)

The CCD operation sequence is exposed-transferred-readout. We need to perform the integration time first, then, read the Vout in the next cycle. The operation is like pipeline. The Vout signal shows in the top waveform actually is the exposed result in the previous cycle. The output signal is almost proportion to the integration time. When the light energy or integration time is long enough to fully charge the pixel, the CCD output will be saturated.

This document is intended for sales and marketing purposes only and may not serve as a specification document for shipping or contracts. If a specification for product approval or IQC is required please contact OtO or your distributor.

OtO Photonics

Ultra Micro Spectro-module Series Product sheet

Block Diagram

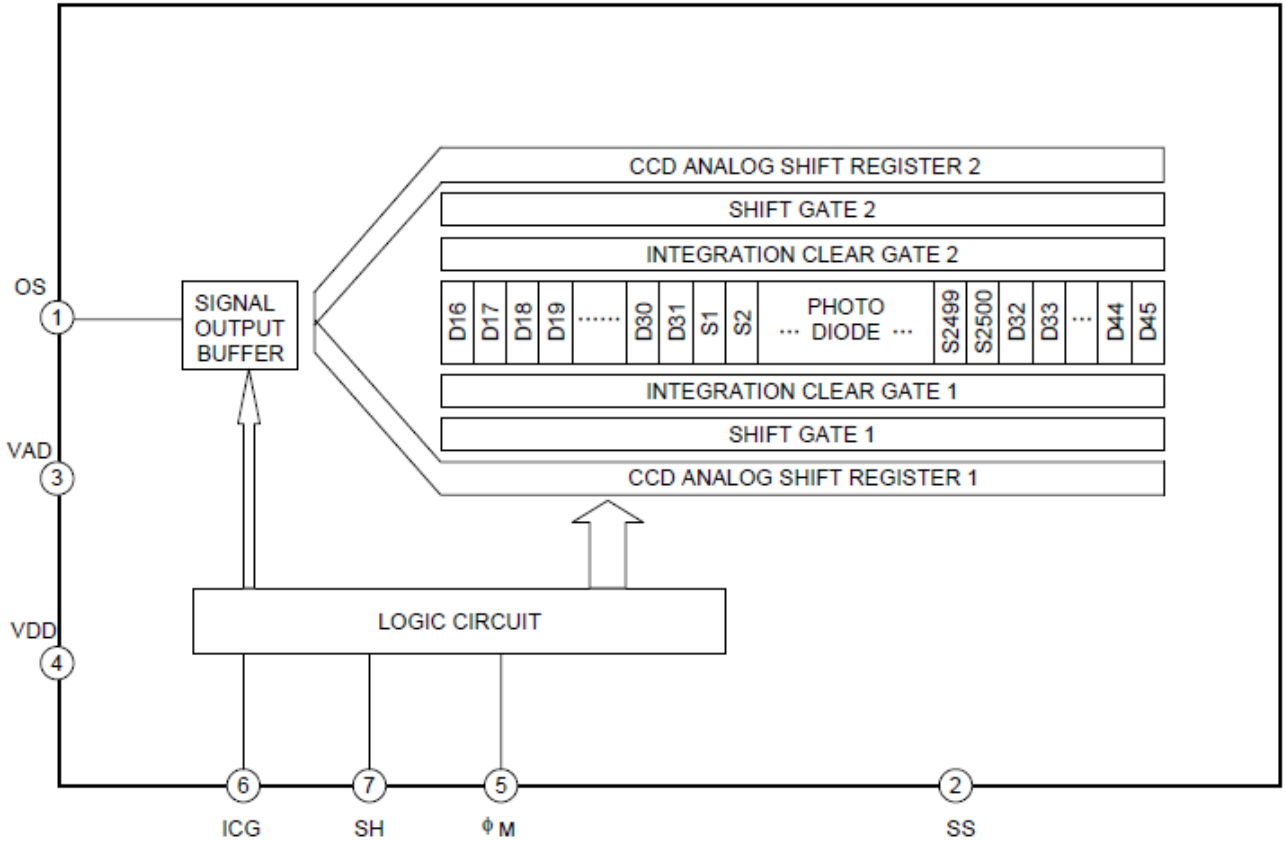


Fig. 12: TCD1254 CCD Block Diagram

This document is intended for sales and marketing purposes only and may not serve as a specification document for shipping or contracts. If a specification for product approval or IQC is required please contact OtO or your distributor.

OtO Photonics

Ultra Micro Spectro-module Series Product sheet

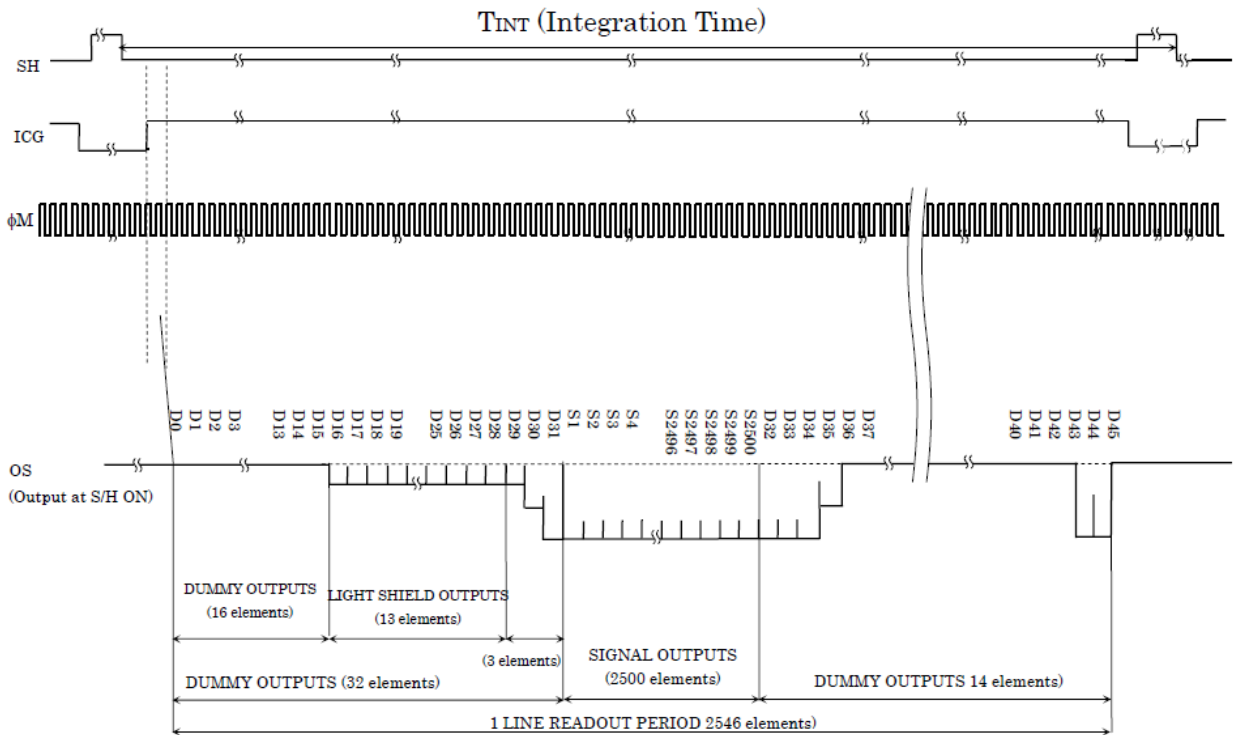


Fig.13 : CCD operation timing waveform

This Toshiba CCD only support sample & hold mode. The above timing chart is TCD1254 operation timing. UM1380/ UM2380/ UM1390/ UM2390 CCD board is built-in an inverse Op-AMP circuit to make the output voltage to be proportional to the incident light level.

The CCD operation sequence is exposed-transferred-readout. We need to perform the integration time first, then, read the V_{out} in the next cycle. The operation is like pipeline. The V_{out} signal shows in the top waveform actually is the exposed result in the previous cycle. The output signal is almost proportion to the integration time. When the light energy or integration time is long enough to fully charge the pixel, the CCD output will be saturated. When the incident light is strong and cause the serious over-saturation condition, the V_{out} signal may not work correctly and causes some wrong spectrum.

This document is intended for sales and marketing purposes only and may not serve as a specification document for shipping or contracts. If a specification for product approval or IQC is required please contact OtO or your distributor.

OtO Photonics

Ultra Micro Spectro-module Series Product sheet

● CCD/SYSTEM NOISE

There are three major sources impact the Vout signal reading. One is the light source stability, the second is the electronics noise, and the other is CCD detector noise. If we don't consider the light source impact, we can check the dark noise performance of this system. The dark noise we define here is the RMS of Vout signal under 1ms integration time in dark condition. So the dark noise will be only contributed by electronics readout noise and the CCD sensor.

The other major parameter to define the noise performance is the SNR. The SNR we define here is the ratio of the full signal (65535 counts) to the RMS value under the full signal condition. The higher SNR performance indicates the readout signal is more stable. It will be helpful for the low signal differentiation.

● SIGNAL AVERAGING

Generally, there are two options for the signal curve operations. The first one is the signal averaging. By the averaging method, we can reduce the noise impact on each pixel. Sure, more sampling points will bring the better averaging performance. But it will need more time to get one spectra. When we use the time-base type of signal averaging, the S:N increases by the square root of the number of samples. Thus, a S:N is readily 10x achieved by averaging 100 spectra.

The other curve smoothing is boxcar filter. It can average the adjacent points to show the smoother curve. But if the target signal is peak type, the boxcar may not be suitable for this. These two methods can be enabled at the same time if the measurement target is suitable for this operation.

This document is intended for sales and marketing purposes only and may not serve as a specification document for shipping or contracts. If a specification for product approval or IQC is required please contact OtO or your distributor.

OtO Photonics

Ultra Micro Spectro-module Series Product sheet

■ Internal Operation

● Pixel Definition

If the system integrator uses the AFE device, you can use the command to manually adjust the baseline. (adjust the AFE OFFSET) The other baseline adjustment method is to enable the background removal. It depends on the user how to use the baseline. °

The following is a description of all of the pixels

Sony ILX563A Pixel Definition :

Pixel	Description
1–13	Dummy pixels
14–31	Optical black pixels
32	Dummy pixels
33–3032	Optical active pixels
3033-3038	Dummy pixels

Toshiba TCD1254 Pixel Definition :

Pixel	Description
1–16	Dummy pixels
17–29	Optical black pixels
30-32	Dummy pixels
33–2532	Optical active pixels
2533-2546	Dummy pixels

This document is intended for sales and marketing purposes only and may not serve as a specification document for shipping or contracts. If a specification for product approval or IQC is required please contact OtO or your distributor.