

OtO Photonics

Red Sparrow Series Product sheet (RS Series)



Description

Red Sparrow Series (RS1680) spectrometer is constructed by MEMS technology and designed for near infrared region. It can provide high optical resolution and fast spectral response and the compact size is very flexible for system integration, portable and handheld.

RS1680 provides more flexibility for OEM customer on the product design and integration.

We provide the related information and the detailed instructions of how to operate with RS Series in this guide.

Red Sparrow Series

RS1680

RS1780



- This Document is for business promotion use only.
- For customer's Specification Approval or IQC need, we will provide official Approval Sheet.

APTechnologies
www.aptechnologies.co.uk

AP Technologies Limited The Coach House Watery Lane Bath BA2 1RL
T: +44 (0) 1225 780400 F: +44 (0) 8701 266449 E: info@aptechnologies.co.uk

RS Series-012 Rev 1
www.otophotonics.com

OtO Photonics

Red Sparrow Series Product sheet

Attention

Picture



Description

To prevent over tightening and damaging of the slit in the spectrometer. Please Hand tightening the optical fiber only. **Do not** use any tool including wrench to tighten up the optical fiber and SMA905 connector.

Apply adhesive to optical fiber connector after hand tightening is recommended if the fiber needs to be fixed robustly for a long time operation.

- This Document is for business promotion use only.
- For customer's Specification Approval or IQC need, we will provide office Approval Sheet.

OtO Photonics

Red Sparrow Series Product sheet

■ Overview

- | | | |
|-----|---------------------|----|
| 1.1 | Lineup of RS Series | P4 |
| 1.2 | Output Comparison | P5 |

■ Structure

- | | | |
|-----|--------------------|----|
| 2.1 | Mechanical Diagram | P6 |
| 2.2 | Electrical Pinout | P7 |
| 2.3 | CCD Overview | P9 |

■ Internal Operation

P11

- This Document is for business promotion use only.
- For customer's Specification Approval or IQC need, we will provide office Approval Sheet.

OtO Photonics

Red Sparrow Series Product sheet

Overview

1.1 RS series Specification

Module Name	Spectral Response Range(nm)		Slit (μm)	Resolution * ¹ (nm)	Gain	Dynamic Range* ²	SNR* ³	Stray Light* ⁴
	NIRA							
	900	1700						
RS1680	√		50	9~15nm	High	4000	2500	<0.7%
					Low	4680	4000	
RS1780				8~10nm	High	3450	2000	
					Low	na	na	

*1 :The resolution of 1083.84nm, 1262.34nm & 1473.28nm with Xenon lamp.

*2 : 65535/Dark Noise(average)

*3 : Single acquisition

*4 :Stray light <0.7% at 1000nm, detected with FEL1300 longpass filter.

(The transmission of H₂O at 1420nm <0.5% . Reference to air, cuvette size 10*10mm)

Specification	Content		
	RS1680	RS1780	
Sensor	NIR InGaAs 128 Pixels Sensor	NIR InGaAs 256 Pixels Sensor	
Optical System	MEMS		
Parameters of Optical System	f/# : 3.8, NA :0.1 Focal Length(R1-R2) :130-112		
Dimension	40(L)*40(W)*18(H)mm		
Dark Noise (Upper Limit)	High Gain	16	19
	Low Gain	14	na
Integration Time	10us~24sec	High gain: 0.5sec, Baseline Noise 30000 count	
		Low gain: 5sec, Baseline Noise 30000 count	
Storage Temperature	-20°C to +70°C		
Operation Temperature	0°C to +50°C		
Interfaces	USB 2.0 @ 480 Mbps (High-speed)		
Input Fiber Connector	SMA 905, SMA905: Φ3.20±0.01mm		
Power	Power requirement : USB, 280mA at +5VDC Supply voltage : 4.5-5.5V Power-up time : < 1.5s		

- This Document is for business promotion use only.
- For customer's Specification Approval or IQC need, we will provide office Approval Sheet.

OtO Photonics

Red Sparrow Series Product sheet

► 1.2 Efficiency

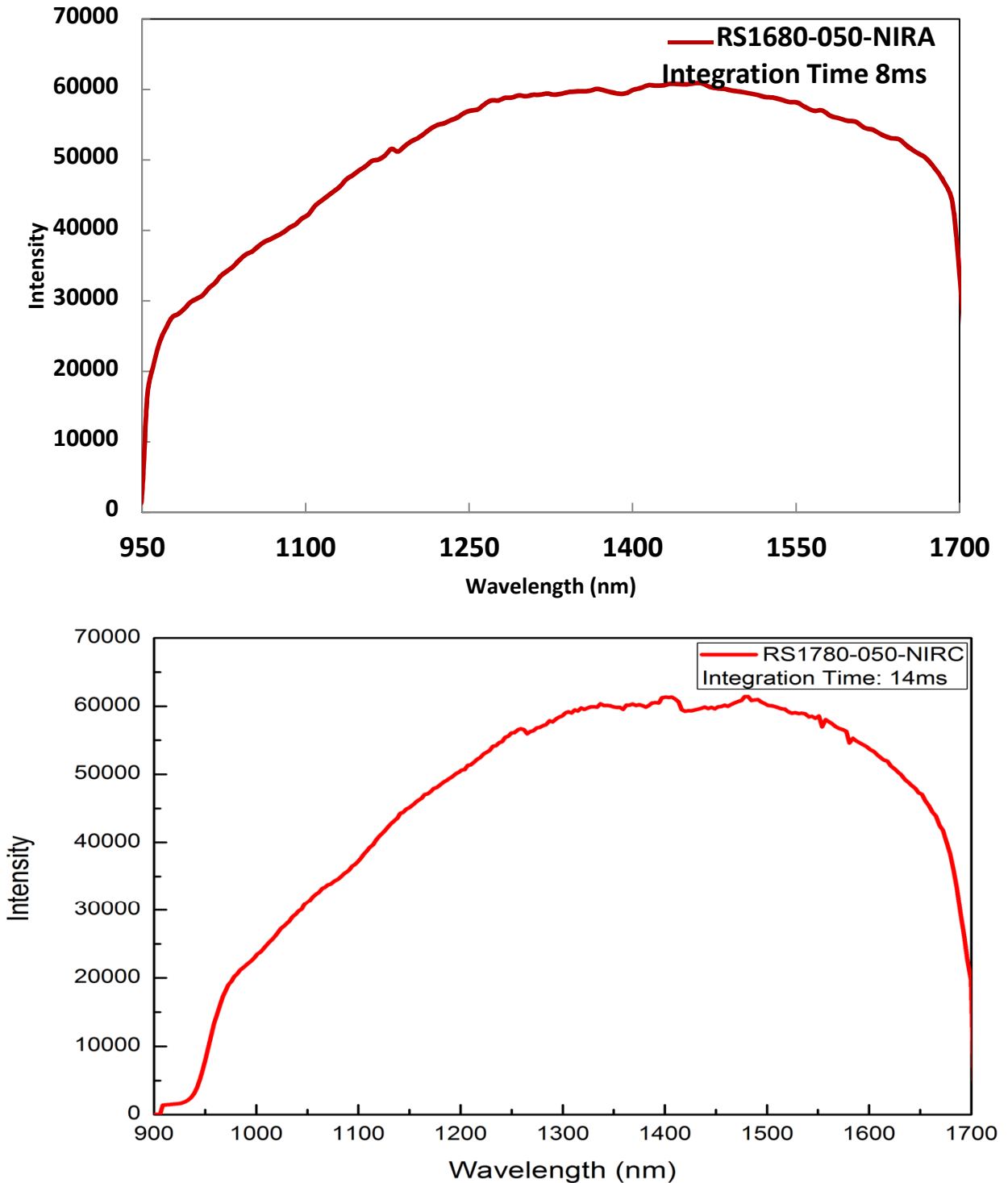


Fig. 1: RS1680 & RS1780 Integration Time 8ms & 14ms with Halogen lamp

- This Document is for business promotion use only.
- For customer's Specification Approval or IQC need, we will provide office Approval Sheet.

OtO Photonics

Red Sparrow Series Product sheet

■ Structure

► 2.1 Mechanical Diagram

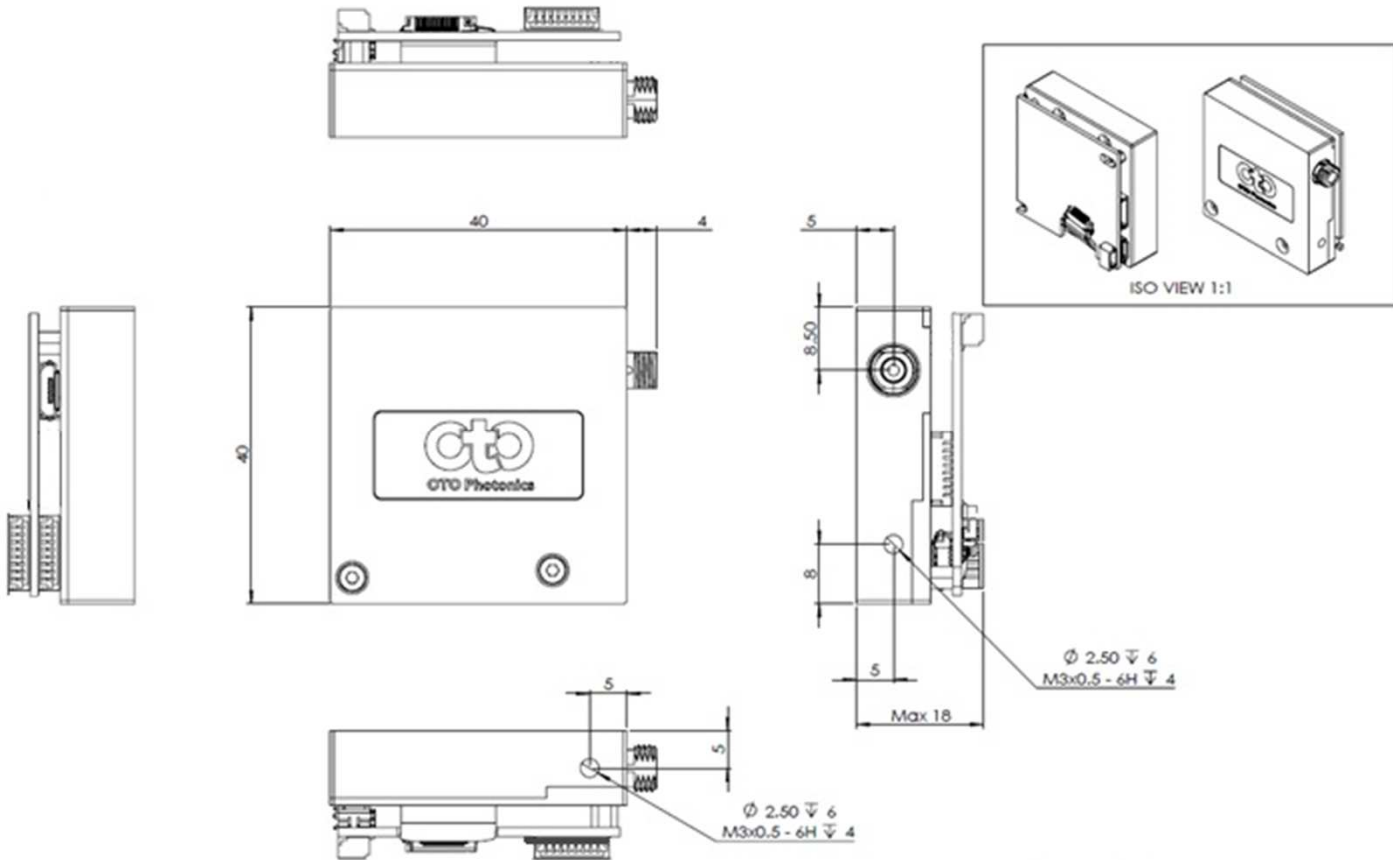


Fig. 2: RS1680/1780 Mechanical Diagram

OtO Photonics

Red Sparrow Series Product sheet

► 2.2 Electrical Pinout

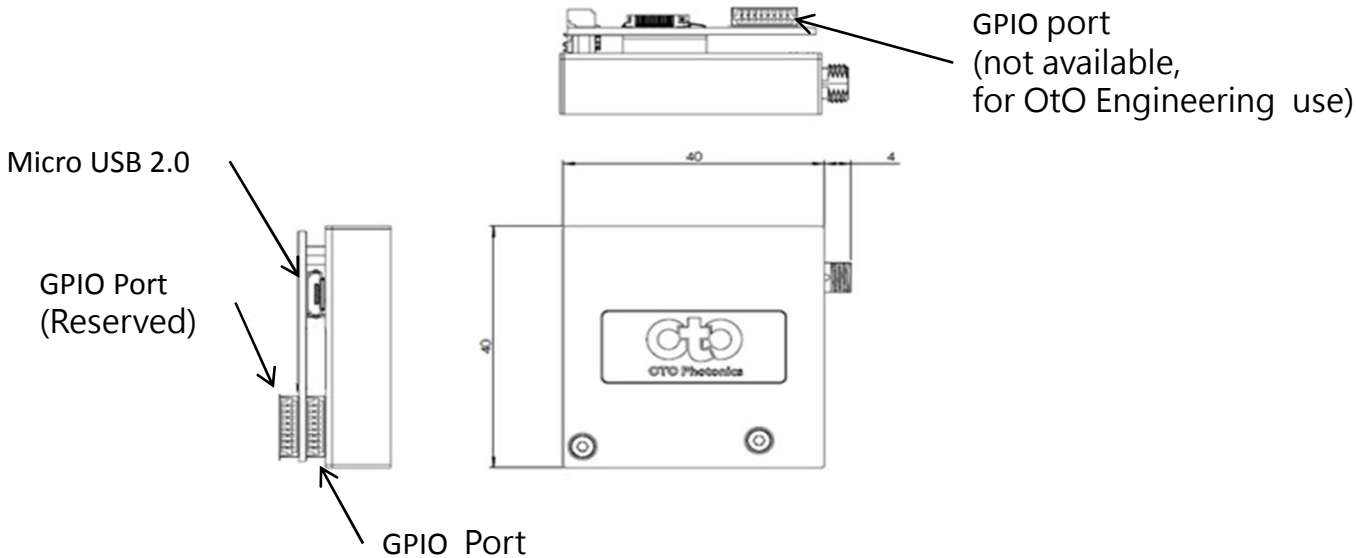


Fig. 3: RS1680 Electrical Pinout Position

● USB port

The electronics system is powered by USB port and RS Series communicates with the PC through the USB port. It also provides 6 I/Os for external interface extension.

❑ **Micro USB @ 480Mbps (High-speed)**

❑ **Power Supply**

● GPIO port

The following listed is the pin description for the RS Series Extension Connectors. All the Extension Port is a 8 pin 1.0mm connector.

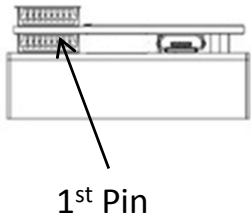
OtO Photonics

Red Sparrow Series Product sheet

GPIO Pin# Description Alt Function

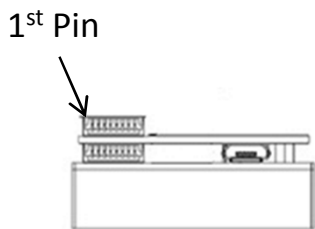
*All I/Os are TTL-level input/output

Pin No.	Direction	Pin Name	Function Description
1	Power	5V Input/Output	When connecting to PC USB port, this pin is also connected to VBUS. This pin can provide around 0.1A power for external device.
2	Output	TX	UART TX. TX is the output from the RISC controller.
3	Input	RX	UART RX. RX is the input for the RISC controller.
4	Output	GPIO0	General Purpose Output 0.
5	Output	GPIO1	General Purpose Output 1.
6	Output	LS_ON	Light Source Turn ON.
7	Input	Trigger_IN	External Trigger Input Signal.
8	GND	GND	GND

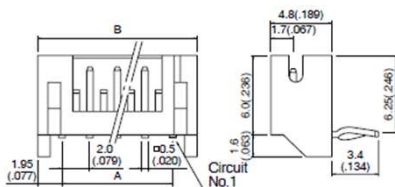


GPIO Pin(Reserved) # Description Alt Function

Pin No.	Direction	Pin Name	Function Description
1	NC	NC	NC
2~7	-	-	Reserved GPIO
8	GND	GND	GND



Side entry type



Circuits	Model No.		Dimensions mm(in.)		Q'ty / box	
	Top entry type	Side entry type	A	B	Top entry type	Side entry type

Fig. 4 : GPIO 1.0 mm 8 pin drawing

- This Document is for business promotion use only.
- For customer's Specification Approval or IQC need, we will provide office Approval Sheet.

OtO Photonics

Red Sparrow Series Product sheet

► 2.3 Sensor Overview

● InGaAs Sensor

The InGaAs Sensor of RS1680 is a rectangular reduction type InGaAs linear image sensor with Flexible Cable designed for optical measuring equipment use. A built-in timing generator and clock-drivers ensure single 3.3V power supply for use.

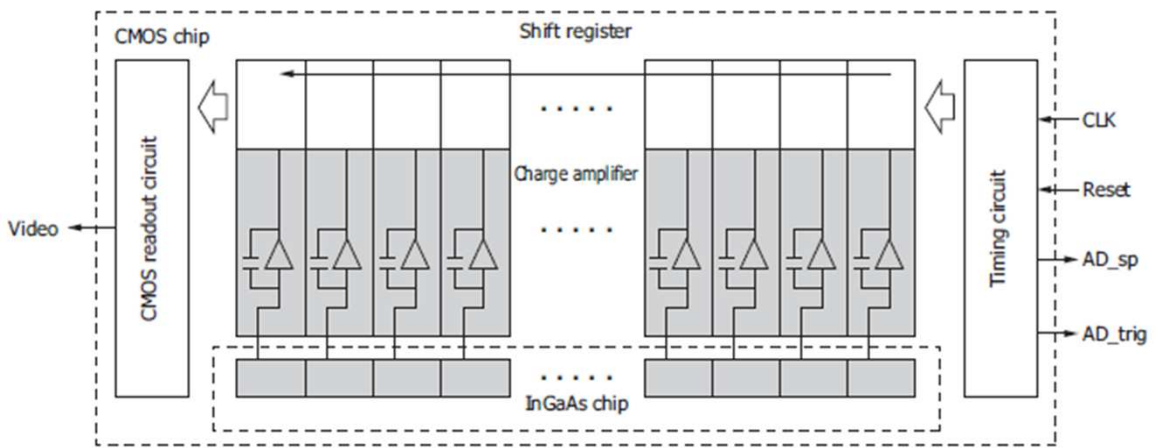


Fig. 5: RS1680/1780 InGaAs Sensor Block Diagram

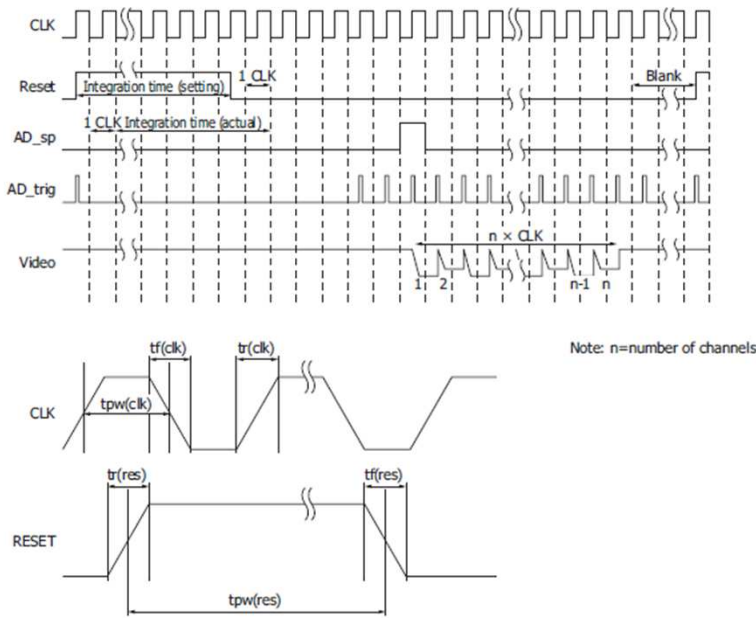


Fig.6: RS1680/1780 InGaAs Sensor operation timing waveform

KMPIC2106A

- This Document is for business promotion use only.
- For customer's Specification Approval or IQC need, we will provide office Approval Sheet.

● SENSOR/SYSTEM NOISE

There are three major sources impact the Vout signal reading. One is the light source stability, the second is the electronics noise, and the other is CCD detector noise. If we don't consider the outer light source influence, we can check the dark noise performance of this system first. The dark noise we define here is the RMS of Vout signal under 1ms integration time in dark condition. So the dark noise will be only contributed by electronics readout noise and the sensor.

The other major parameter to define the noise performance is the SNR. The SNR we define here is the ratio of the full signal (65535 counts) to the RMS value under the full signal condition. The higher SNR performance indicates the readout signal is more stable. It will be helpful for the low signal differentiation.

● SIGNAL AVERAGING

The software-SpectraSmart provides two options for the signal curve operations. The first one is the signal averaging. By the averaging method, we can reduce the noise impact on each pixel. Surely, more sampling points will bring the better averaging performance. But it will need more time to get one spectra. When we use the time-base type of signal averaging, the S:N increases by the square root of the number of samples. Thus, a S:N is readily 10x achieved by averaging 100 spectra.

The other curve smoothing is boxcar filter. It can average the adjacent points to show the smoother curve, but it will lower optical resolution. So if the target signal is peak type, the boxcar may not be suitable for this.

These two methods can be enabled at the same time if the measurement target is suitable for this operation. But if the user would like to check all the original data and performance, time-based average or boxcar smoothing needs to be un-checked. The default setting for these two average methods is un-checked.

- This Document is for business promotion use only.
- For customer's Specification Approval or IQC need, we will provide office Approval Sheet.

■ Internal Operation

▶ Pixel Definition

The baseline signal is around 1,000 counts in our current system. We can provide the tool/command to manually adjust the baseline. (adjust the AFE OFFSET) The other baseline adjustment method is to enable the background removal from the software. It depends on the user how to use the baseline.

Pixel	Decription
1-128	Optical active pixels

- This Document is for business promotion use only.
- For customer's Specification Approval or IQC need, we will provide office Approval Sheet.