

**FEATURES**

- Large Active Area
- Low Noise
- High Sensitivity
- Custom Gains Available
- Hermetically Sealed TO-39
- Blue Enhanced Detector

**Electro-Optical Characteristics at 23°C**

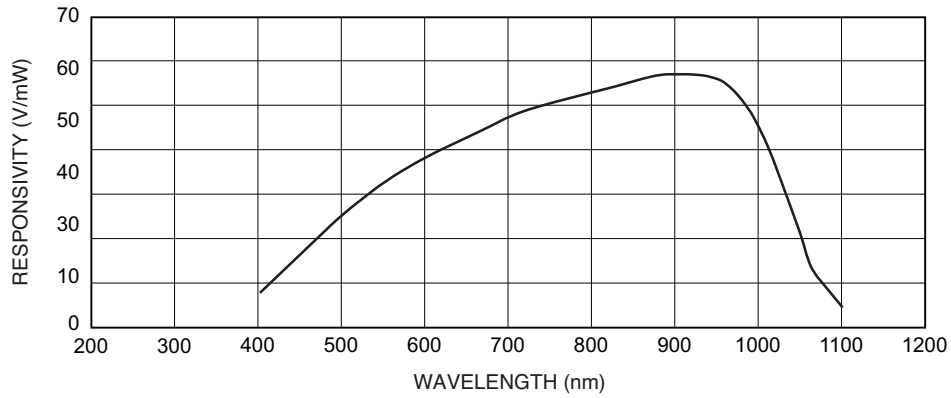
Parameters	Test Conditions	Min	Typ	Max	Units
Dark Offset	$V_s = \pm 5 \text{ V}$		1.2	$\pm 2$	mV
Dark Offset Noise	$V_s = \pm 5$ BW = 0.1 to 1000 kHz		198	250	$\mu\text{V rms}$
Sensitivity	$V_s = \pm 5 \text{ V}$ $\lambda = 450 \text{ nm}$	20	28		$\text{V}/\mu\text{W}$
Frequency Response (-3 db)	$V_s = \pm 5 \text{ V}$ $\lambda = 940 \text{ nm}$	500	1000		Hz
NEP	$\lambda = 940 \text{ nm}$		0.08		$\text{pW}/\sqrt{\text{Hz}}$
Transimpedance Gain			100		$\text{M}\Omega$
Supply Current			850	950	$\mu\text{A}$

**Absolute Ratings**

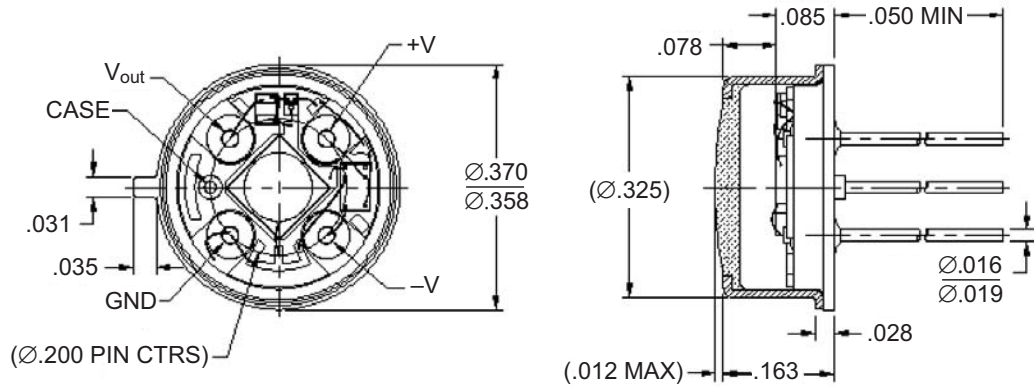
Parameters	Units
Voltage Supply Range +V to -V*	5 to 15 V
Power Dissipation	15 mW
Storage and Operating Temperature	-25 to +100°C
Soldering Temperature (1/16" from case for 3 seconds max)	+260°C

\*Voltage supply across the device requires a minimum of 5 V to a maximum of 15 V from +V to -V.

**Typical Spectral Response**

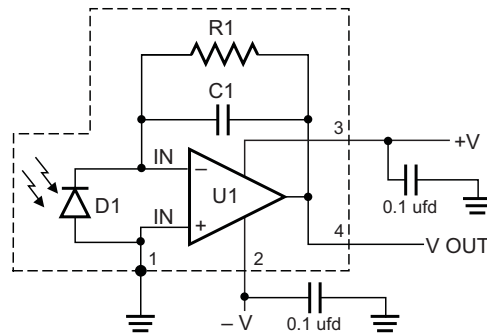


**Package Information**



SHOWN WITH CAP REMOVED FOR CLARITY

Dimensions are in inch [metric] units.



Specifications are subject to change without prior notice.