



**FEATURES**

- Narrow Spectral Output
- Hermetic TO-46 Package
- Wavelength Suitable for Disinfection
- Long Lifetime

**Electro-Optical Characteristics at 25°C**

Parameters	Test Conditions	Min	Typ	Max	Units
Total Power Output, P <sub>o</sub>	I <sub>F</sub> = 20 mA	1.05	1.2		mW
Peak Emission Wavelength, λ <sub>p</sub>	I <sub>F</sub> = 20 mA	275	280	285	nm
Spectral Bandwidth at 50%, Δλ	I <sub>F</sub> = 20 mA		12		nm
Half Intensity Beam Angle, θ	I <sub>F</sub> = 20 mA		70		Deg
Forward Voltage, V <sub>F</sub>	I <sub>F</sub> = 20 mA		6.5	7.5	Volts
Capacitance, C	V <sub>R</sub> = 0 V		350		pF

**Absolute Maximum Ratings at 25°C**

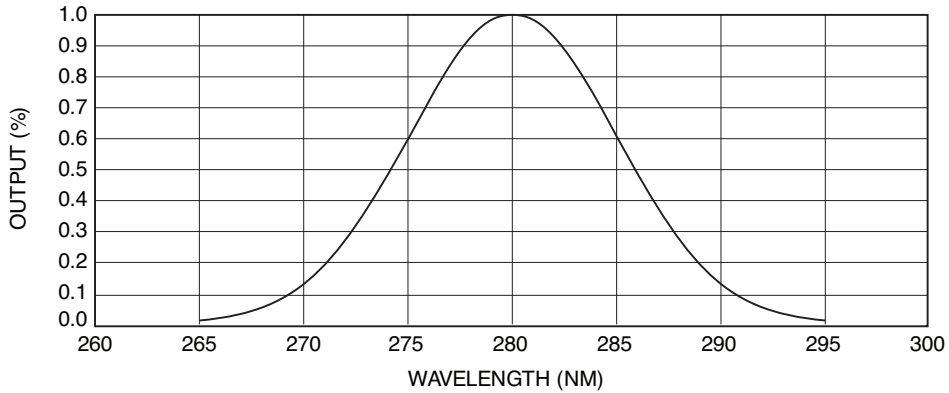
Parameters	Units
Power Dissipation*	225 mW
Continuous Forward Current*	30 mA
Reverse Voltage	5 V
Lead Soldering Temperature (1/16" from case for 10 sec)	240°C

\*Derate linearly 25°C to 80°C.

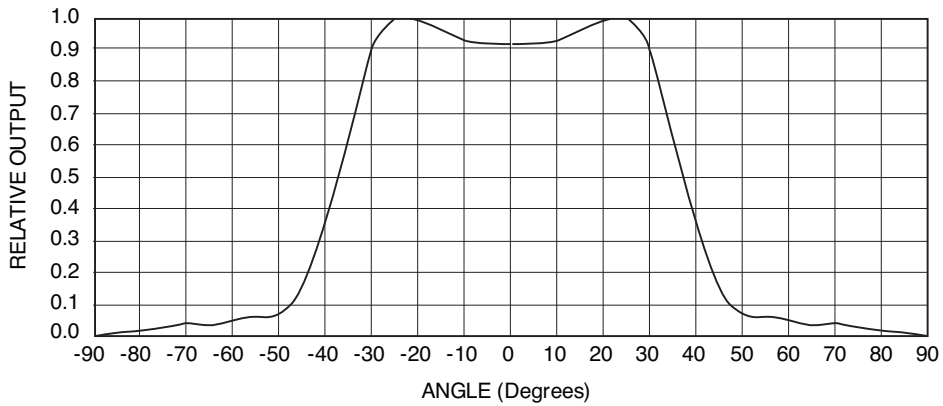
**Thermal Parameters**

Parameters	Units
Storage Temperature Range	-40°C to 100°C
Operating Temperature Range	-30°C to 80°C

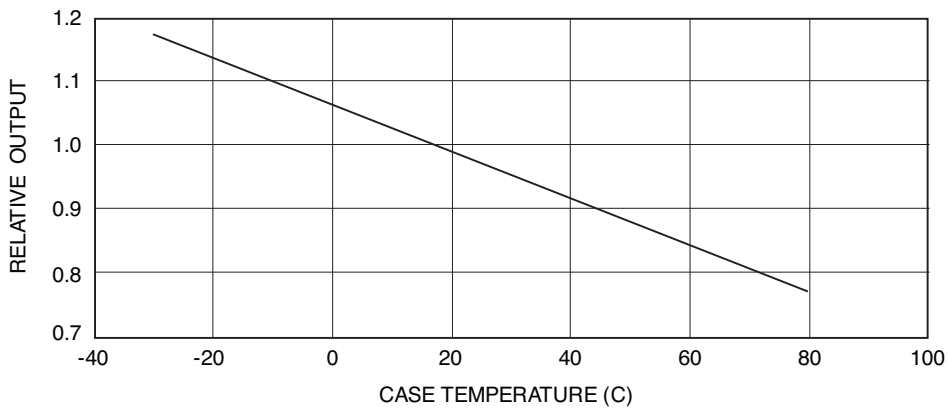
**Spectral Output**



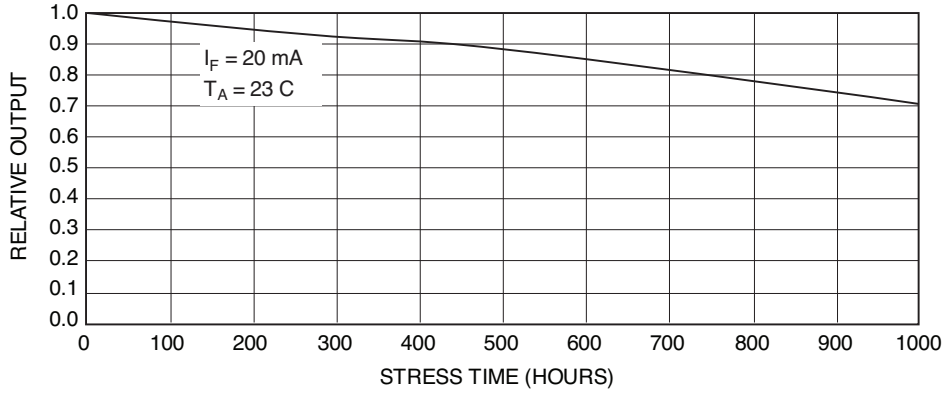
**Radiation Pattern**



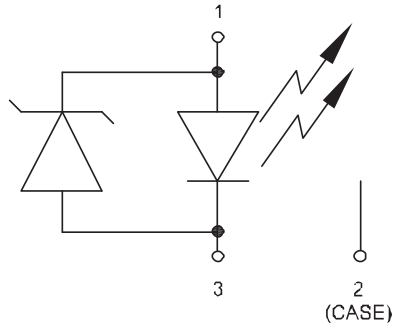
**Power Output vs Temperature**



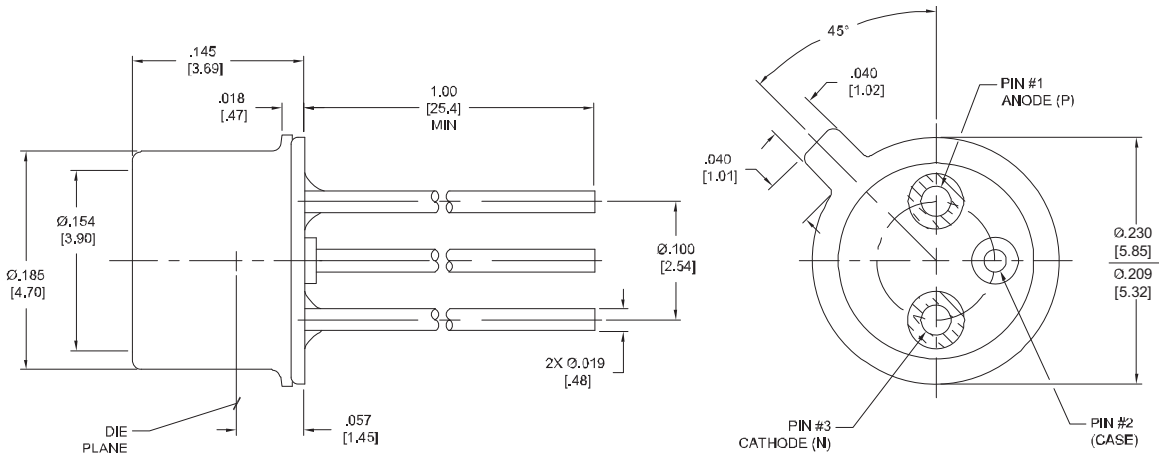
**Power Output Degradation**



**Schematic**



**Package Information**



Dimensions are nominal values in inches unless otherwise specified.

Specifications are subject to change without prior notice.

1260 Calle Suerte, Camarillo, California 93012

Phone: +1 805.499.0335 | Fax: +1 805.499.8108 | sales@optodiode.com | www.optodiode.com