



FEATURES

- Narrow Spectral Output
- Hermetic TO-46 Package
- Wavelength Suitable for Disinfection
- Long Lifetime

Electro-Optical Characteristics at 25°C

Parameters	Test Conditions	Min	Typ	Max	Units
Total Power Output, P_o	$I_F = 20 \text{ mA}$	0.9	1.2		mW
Peak Emission Wavelength, λ_P	$I_F = 20 \text{ mA}$	275	280	285	nm
Spectral Bandwidth at 50%, $\Delta\lambda$	$I_F = 20 \text{ mA}$		12		nm
Half Intensity Beam Angle, θ	$I_F = 20 \text{ mA}$		70		Deg
Forward Voltage, V_F	$I_F = 20 \text{ mA}$		6.5	7.5	Volts
Capacitance, C	$V_R = 0 \text{ V}$		350		pF

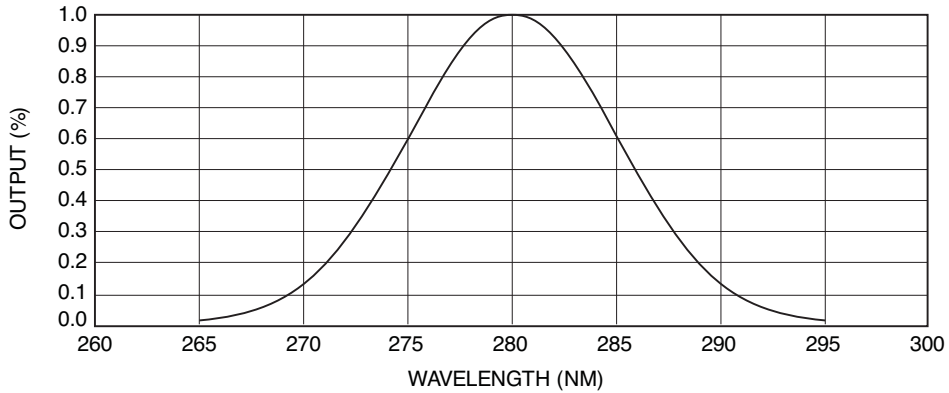
Absolute Maximum Ratings at 25°C

Parameters	Units
Power Dissipation	225 mW
Continuous Forward Current	30 mA
Reverse Voltage	5 V
Lead Soldering Temperature (1/16" from case for 10 sec)	240°C

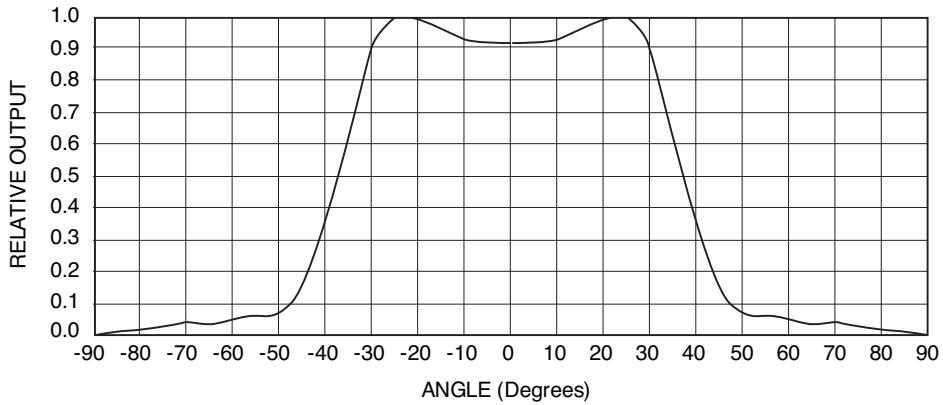
Thermal Parameters

Parameters	Units
Storage Temperature Range	-40°C to 100°C
Operating Temperature Range	-30°C to 80°C

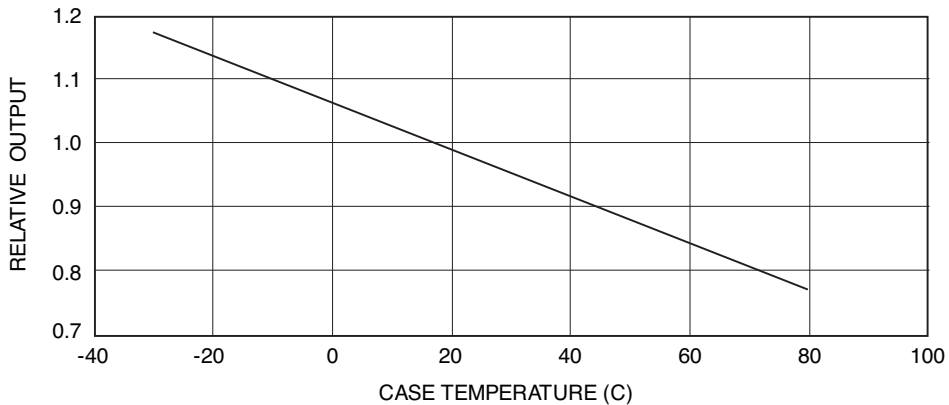
Spectral Output



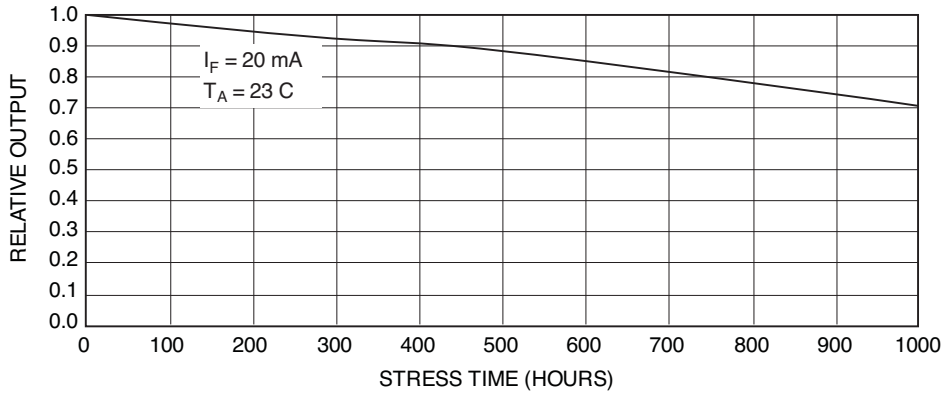
Radiation Pattern



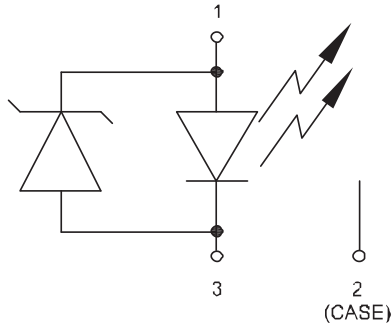
Power Output vs Temperature



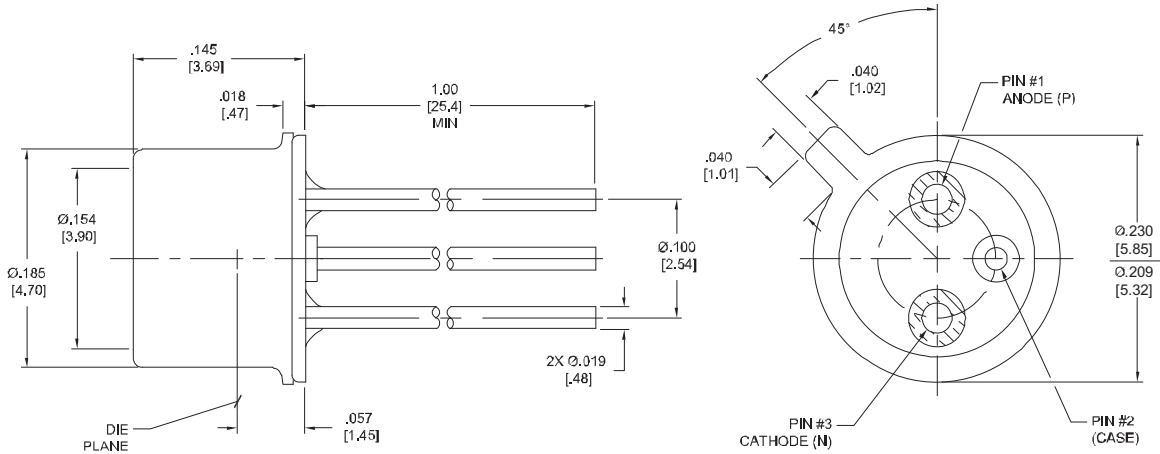
Power Output Degradation



Schematic



Package Information



Dimensions are nominal values in inches unless otherwise specified.

Specifications are subject to change without prior notice.

1260 Calle Suerte, Camarillo, California 93012
 Phone: +1 805.499.0335 | Fax: +1 805.499.8108 | sales@optodiode.com | www.optodiode.com