



FEATURES

- Narrow Spectral Output
- Hermetic TO-46 Package
- Wavelength Suitable for Disinfection
- Long Lifetime

Electro-Optical Characteristics at 25°C

| Parameters | Test Conditions | Min | Typ | Max | Units |
|--|-----------------------|------|------|-----|-------|
| Total Power Output, P_o | $I_F = 20 \text{ mA}$ | 0.53 | 0.68 | | mW |
| Peak Emission Wavelength, λ_P | $I_F = 20 \text{ mA}$ | 260 | 265 | 270 | nm |
| Spectral Bandwidth at 50%, $\Delta\lambda$ | $I_F = 20 \text{ mA}$ | | 13 | | nm |
| Half Intensity Beam Angle, θ | $I_F = 20 \text{ mA}$ | | 70 | | Deg |
| Forward Voltage, V_F | $I_F = 20 \text{ mA}$ | | 5 | 6.5 | Volts |
| Capacitance, C | $V_R = 0 \text{ V}$ | | 350 | | pF |

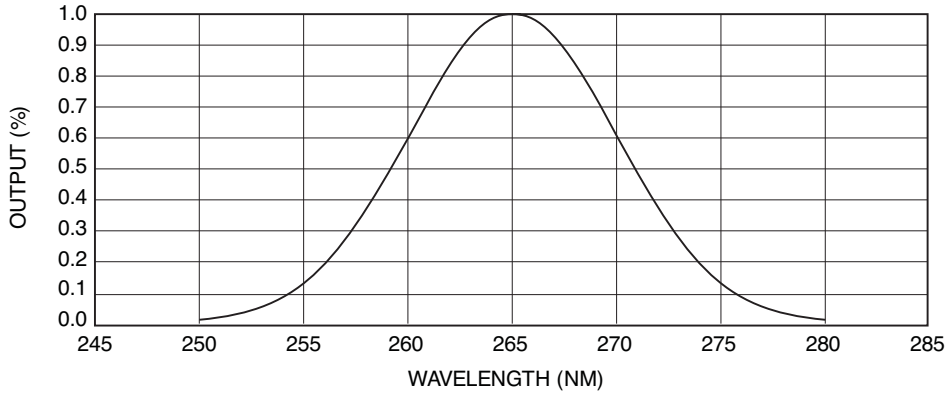
Absolute Maximum Ratings at 25°C

| Parameters | Units |
|---|--------|
| Power Dissipation | 195 mW |
| Continuous Forward Current | 30 mA |
| Reverse Voltage | 5 V |
| Lead Soldering Temperature (1/16" from case for 10 sec) | 240°C |

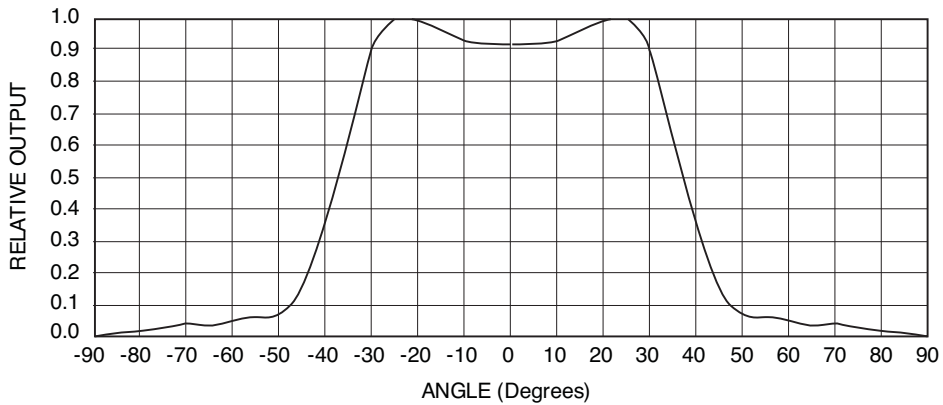
Thermal Parameters

| Parameters | Units |
|-----------------------------------|----------------|
| Storage Temperature Range | -40°C to 100°C |
| Operating Temperature Temperature | -30°C to 80°C |

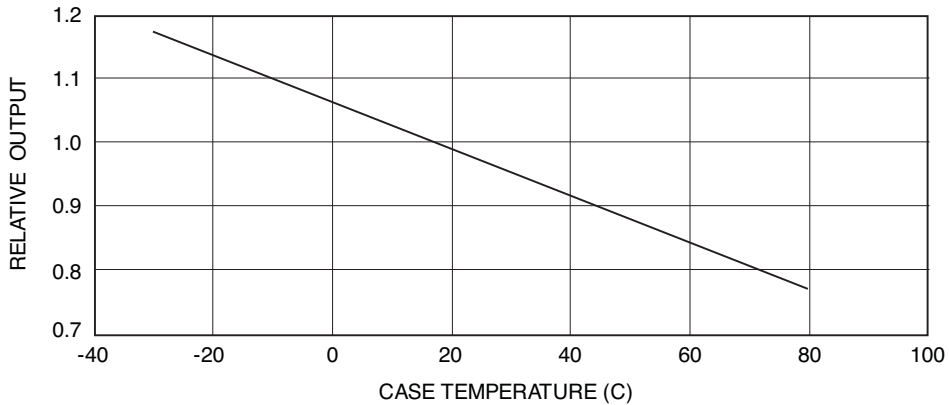
Spectral Output



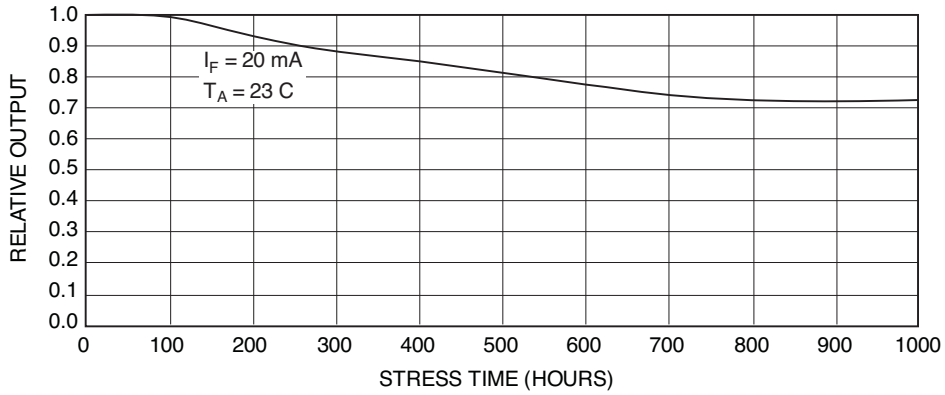
Radiation Pattern



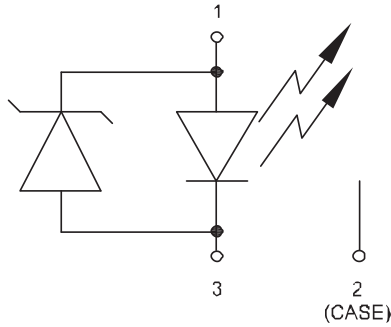
Power Output vs Temperature



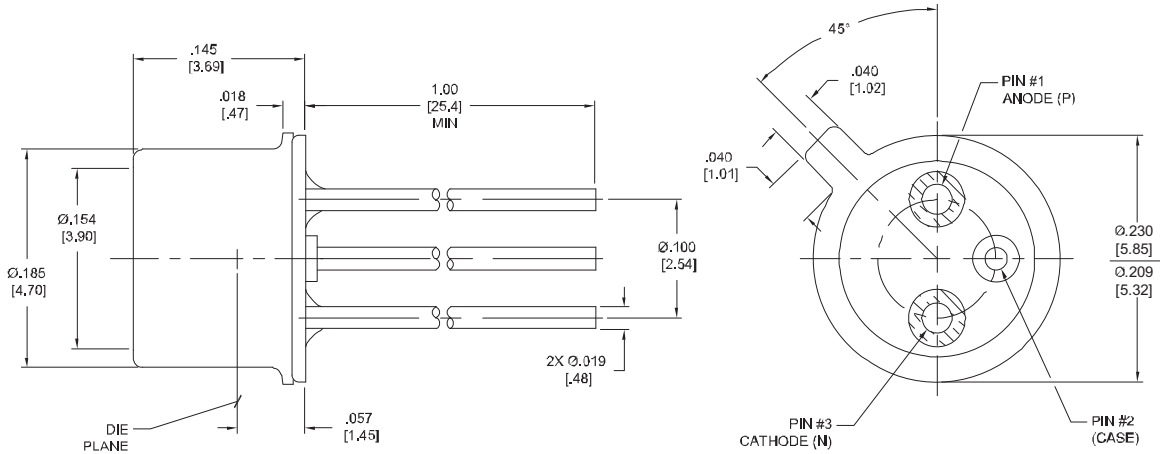
Power Output Degradation



Schematic



Package Information



Dimensions are nominal values in inches unless otherwise specified.

Specifications are subject to change without prior notice.

1260 Calle Suerte, Camarillo, California 93012
 Phone: +1 805.499.0335 | Fax: +1 805.499.8108 | sales@optodiode.com | www.optodiode.com