

FEATURES

- 22 Pin Dual-In-Line Package
- Ideal for Electron Detection
- 100% Internal QE
- Protective Cover Plate³

Electro-Optical Characteristics at 25 °C

Parameters	Test Conditions	Min	Typ	Max	Units
Active Area	0.75 mm x 4.1 mm		3		mm ²
Responsivity	(see graphs on next page)				A/W
Reverse Breakdown Voltage, V _R	I _R = 1 μA	20	25		Volts
Capacitance, C	V _R = 0 V			1	nF
Rise Time	V _R = 0 V			200	nsec
Shunt Resistance (per element)	V _f = ± 10 mV	100			MOhms

Thermal Parameters

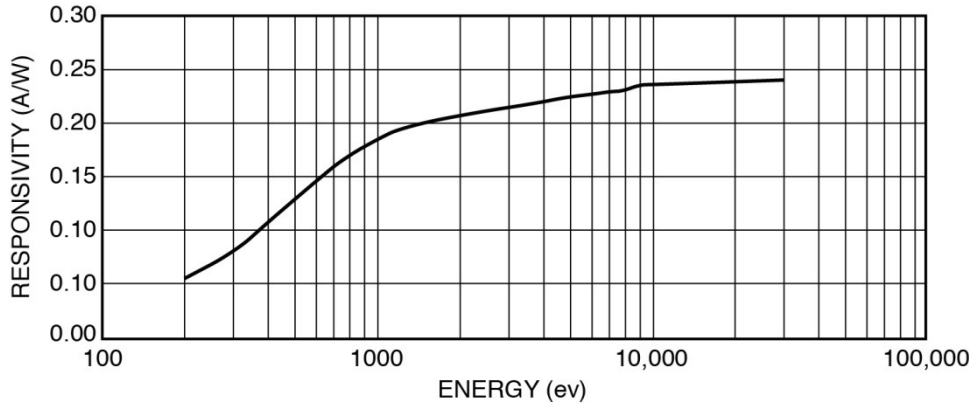
Storage and Operating Temperature Range	
Ambient ¹	-10 °C to 40 °C
Nitrogen or Vacuum	-20 °C to 80 °C
Maximum Junction Temperature	70 °C
Lead Soldering Temperature ²	260 °C

¹ Temperatures exceeding these parameters may create oxide growth on the active area. Over time responsivity to low energy radiation and wavelengths below 150 nm will be compromised.

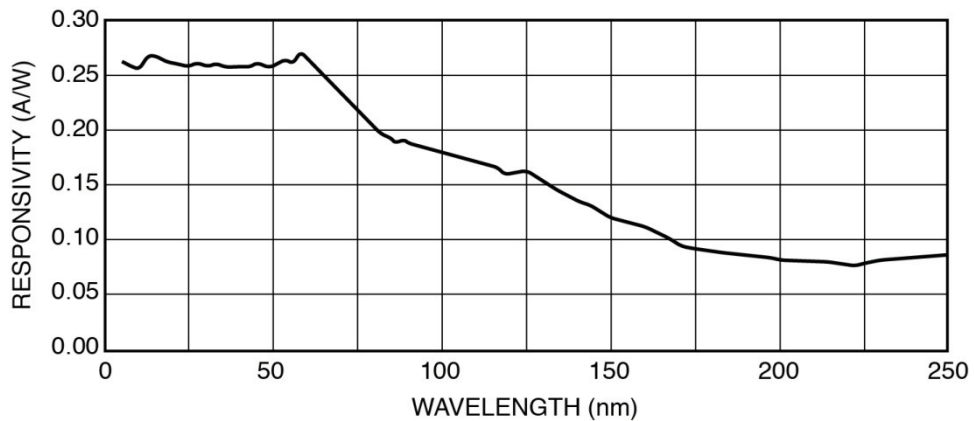
² 0.080" from case for 10 seconds.

³ Shipped with temporary cover to protect the photodiode array and wire bonds. Review the Application Note, "Handling Precautions for AXUV, SXUV, and UVG Detectors", prior to removing cover.

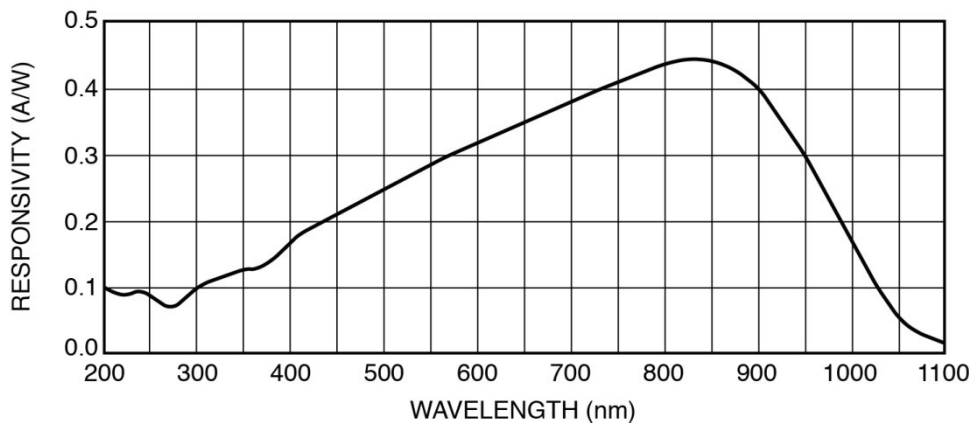
Typical Electron Response



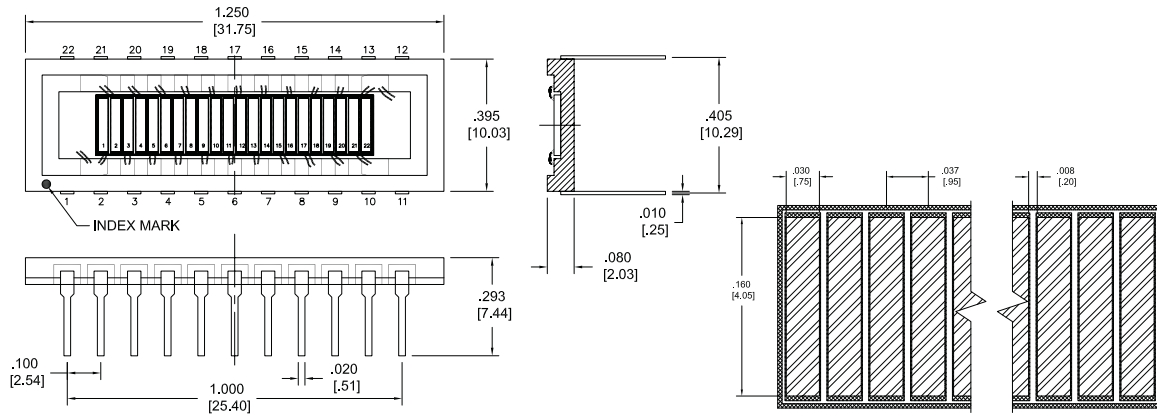
Typical EUV-UV Photon Response



Typical UV-VIS-NIR Photon Responsivity



Package Information



Dimensions are in inch [metric] units.

Pin Description

Pins	Connection
1, 12	Common Anode
n/a	Cathode Element 1
2	Cathode Element 3
3	Cathode Element 5
4	Cathode Element 7
5	Cathode Element 9
6	Cathode Element 11
7	Cathode Element 13
8	Cathode Element 15
9	Cathode Element 17
10	Cathode Element 19
11	Cathode Element 21
13	Cathode Element 20
14	Cathode Element 18
15	Cathode Element 14
16	Cathode Element 12
17	Cathode Element 10
18	Cathode Element 8
19	Cathode Element 6
20	Cathode Element 4
21	Cathode Element 2
22	Cathode Element 22
n/a	Cathode Element 22

Ordering Information

ODD-AXU-033 20 Element Photodiode Array Shipped with Protective Cover

Specifications are subject to change without prior notice.

1260 Calle Suerte, Camarillo, California 93012
Phone: +1 805.499.035 | Fax: +1 805.499.8108 | sales@optodiode.com | www.optodiode.com

Revision May 25, 2018

Page 4 of 4