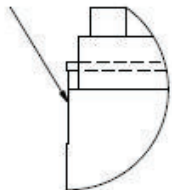
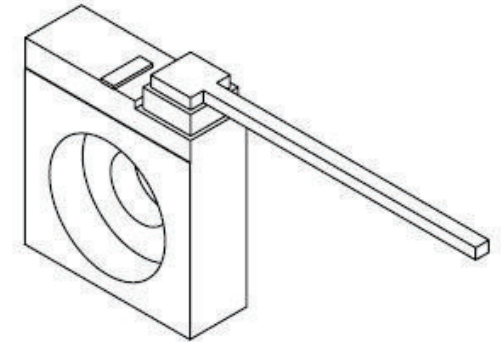
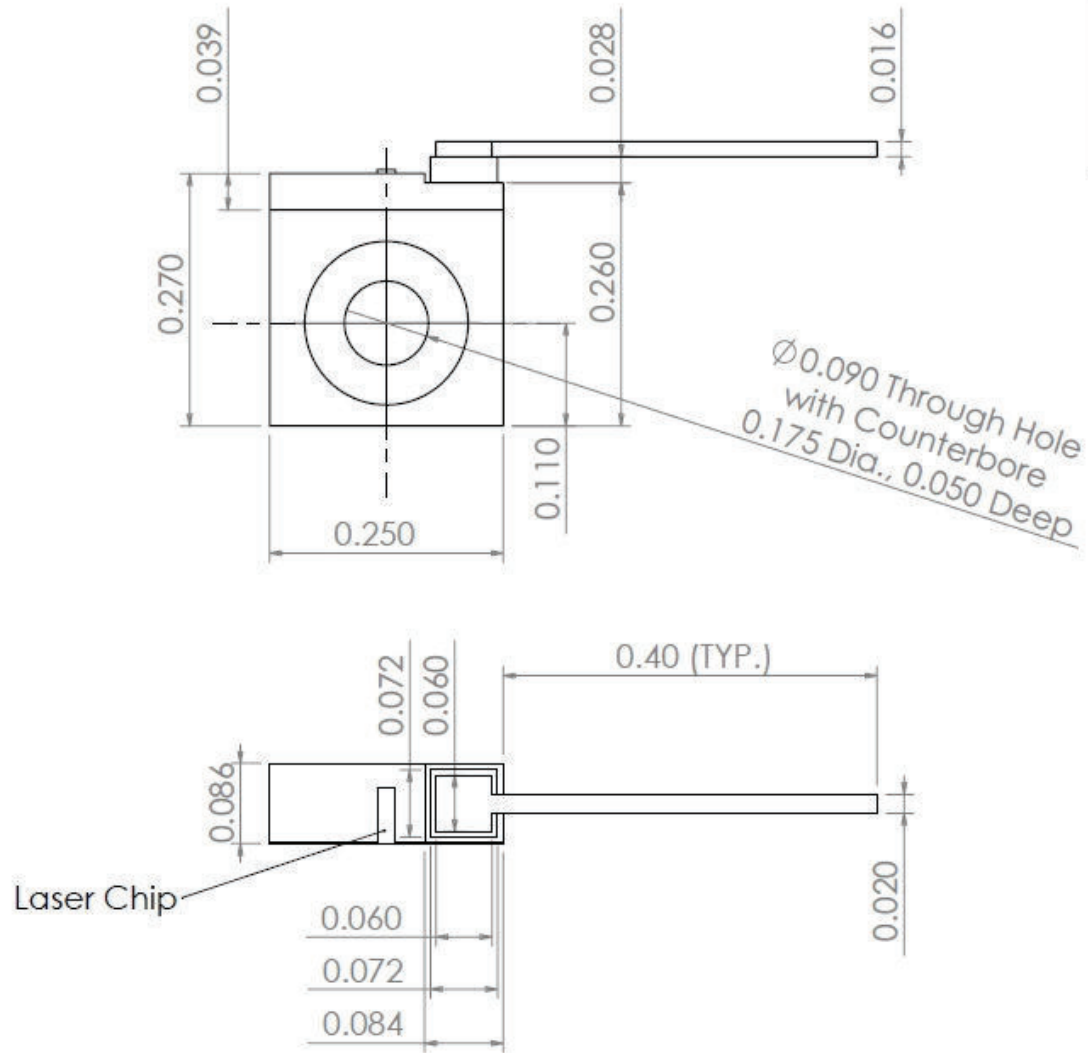


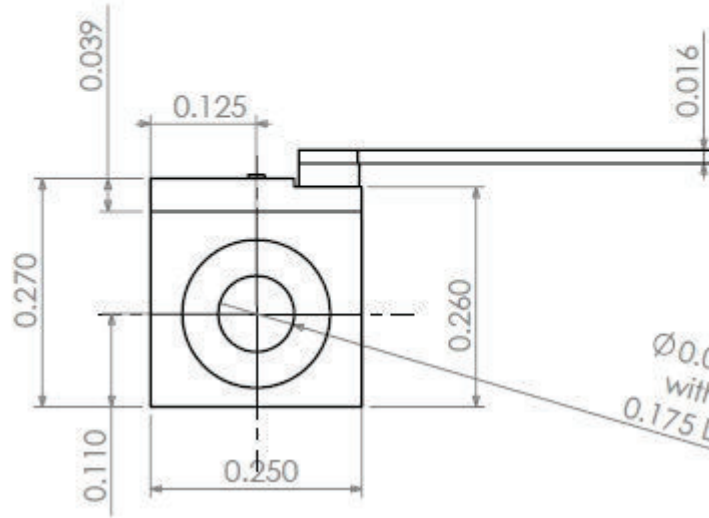
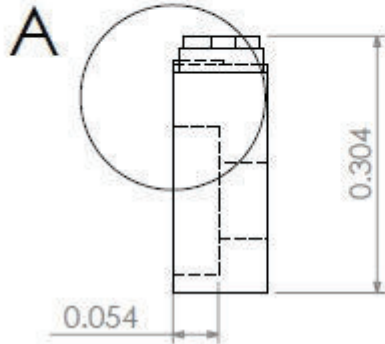
Relief Cut
0.002"



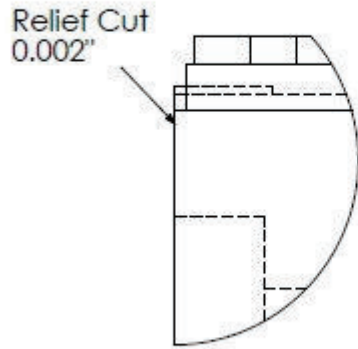
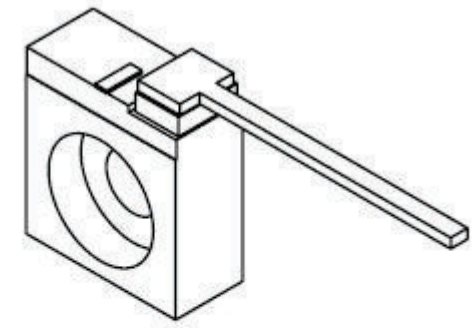
DETAIL A
SCALE 8 : 1



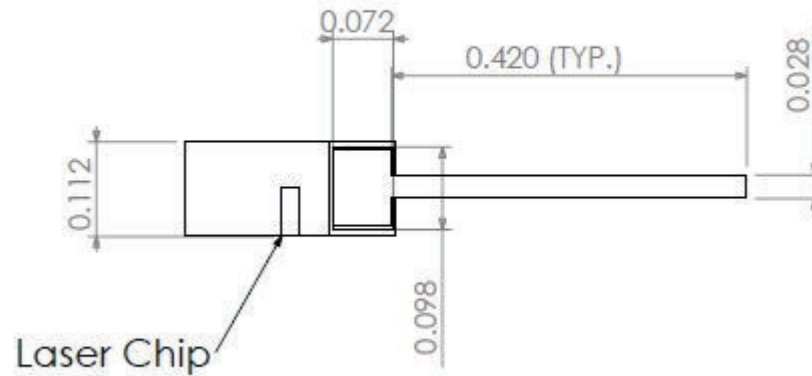
Note:
Material: OFHC Copper



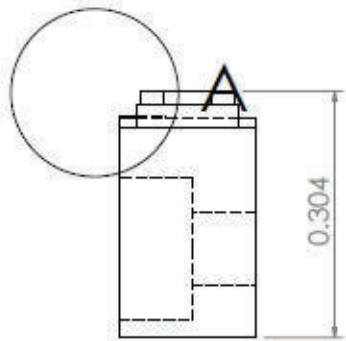
Ø0.090 Through Hole
with Counterbore
0.175 Dia., 0.054 Deep



DETAIL A
SCALE 8 : 1

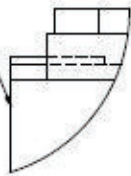


Note:
1. Material: OFHC Copper

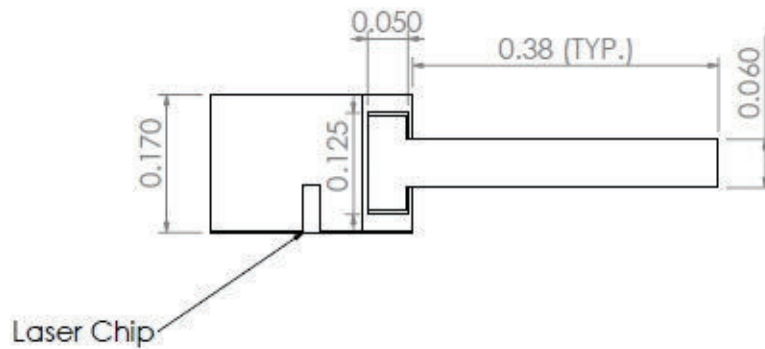
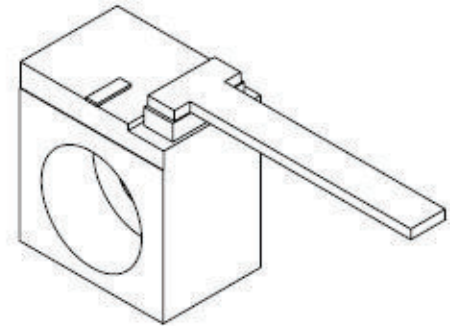
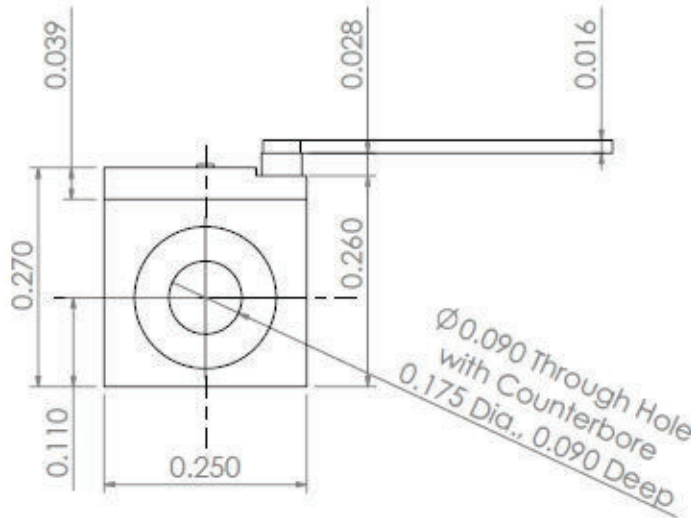


0.304

Relief Cut
0.002"



DETAIL A
SCALE 8 : 1



Note:
1. Material: OFHC Copper