

**FEATURES**

- Circular Active Area
- Ideal for 190-400 nm Detection
- 100% Internal QE
- UV Quartz Window Epoxy Bonded in Place

**Electro-Optical Characteristics at 25 °C**

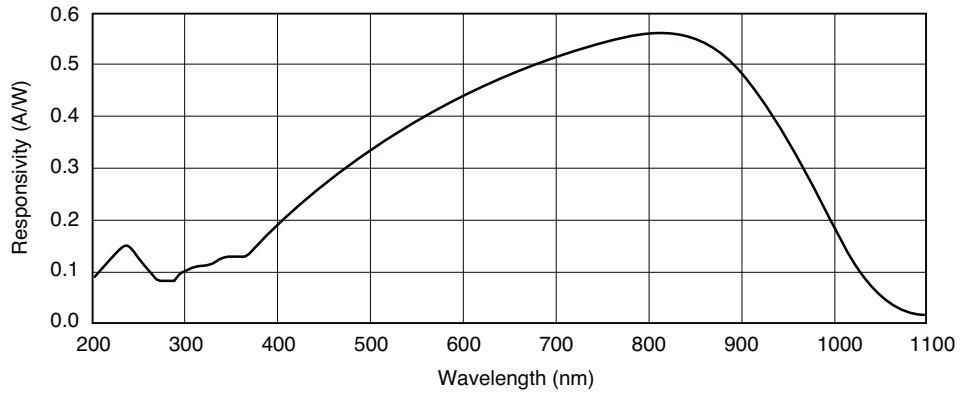
Parameters	Test Conditions	Min	Typ	Max	Units
Active Area	Φ 5.5 mm		24		mm <sup>2</sup>
Responsivity	@ 254 nm	0.105	0.115		A/W
Shunt Resistance	V <sub>F</sub> = ± 10 mV	50	100		MOhms
Reverse Breakdown Voltage, V <sub>R</sub>	I <sub>R</sub> = 1 μA	10	50		Volts
Capacitance, C	V <sub>R</sub> = 0 V		1.5	5	nF
Response Time	V <sub>R</sub> = 0 V			4	μ sec

**Thermal Parameters**

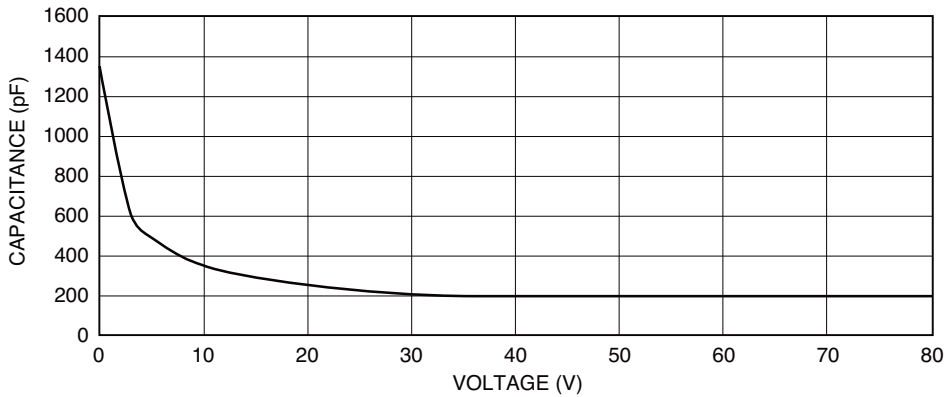
Storage and Operating Temperature Range	Units
Storage Temperature Range	-20° to 80°C
Lead Soldering Temperature <sup>1</sup>	260°C

<sup>1</sup> 0.0625" from case for 10 seconds.

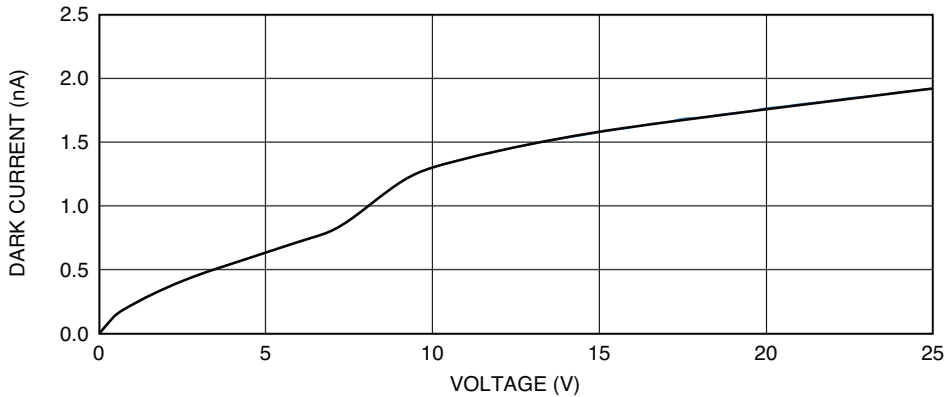
Typical Photon Responsivity



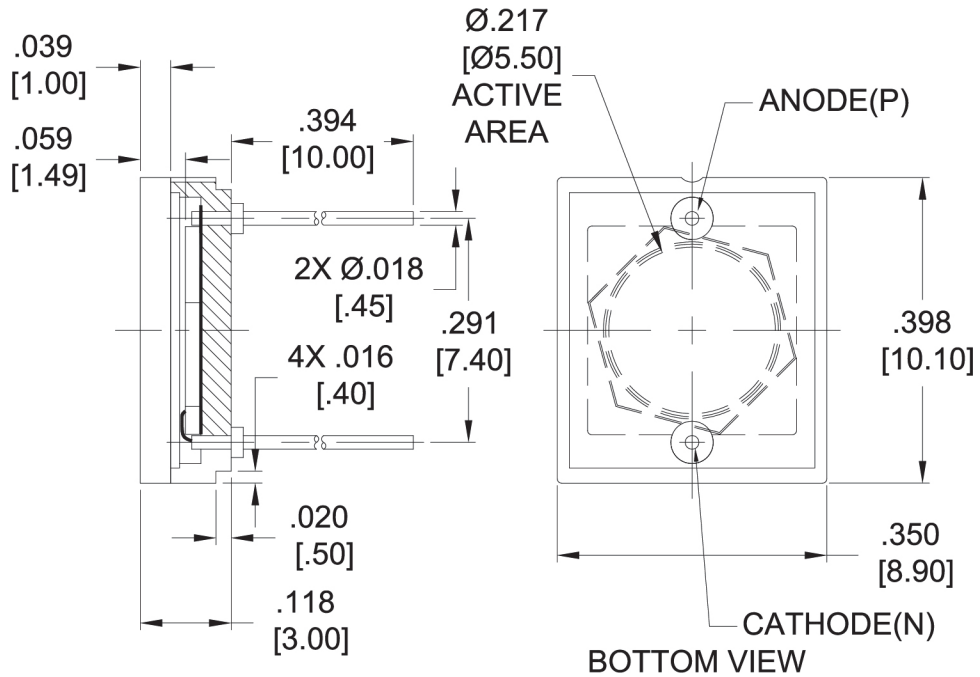
Capacitance vs. Voltage



Dark Current vs. Voltage



**Package Information**



Dimensions are in inch [metric] units.

Specifications are subject to change without prior notice.